



CMOS Color Video Camera
BRC-Z330

FEATURES

Affordable HD CMOS P/T/Z Camera

Sony introduces the BRC-Z330 to its BRC Series. Equipped with a 1/3-type 2-megapixel CMOS image sensor, this camera provides supreme picture performance to accommodate today's growing demand for full HD images. The camera's wide pan/tilt ranges and smooth pan/tilt/zoom capability makes it perfect for deployment in locations such as houses of worship and auditoriums, and at education facilities, conferences, and concerts.

Compact Size and Silent Mechanism

The BRC-Z330 is the smallest model in Sony's BRC Series. Its compact and light body makes installation and operation very smooth. Moreover, thanks to the adoption of a direct-drive pan/tilt mechanism, it has a quiet operation that minimizes interference with ongoing events and helps it blend in naturally with surrounding environments. Above all, this camera also incorporates a relatively low-power-consuming CMOS image sensor.

18x Optical Zoom (72x With Digital Zoom)

By incorporating an 18x optical zoom lens, the BRC-Z330 enables users to zoom in on small or distant objects with a high degree of accuracy. The use of a 4x digital zoom in combination with this optical zoom greatly improves the camera's zooming capability - enabling you to capture accurate physical movements and natural facial expressions of people located far away.

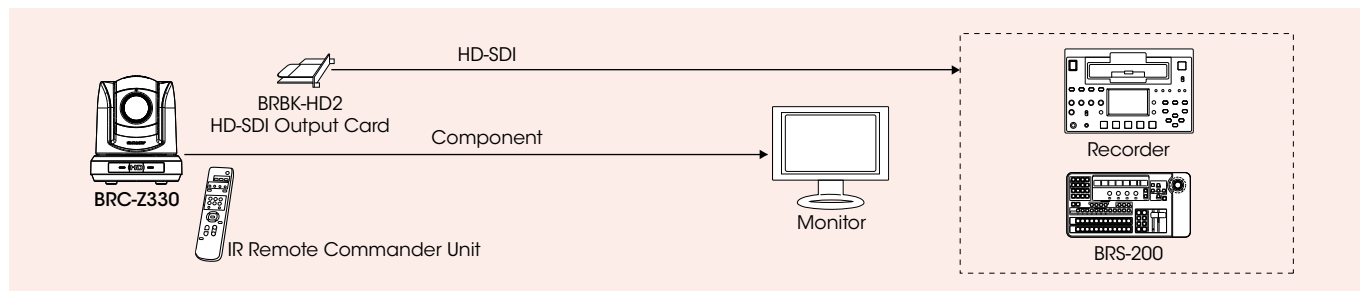
1080i, 720p, and SD Output

The BRC-Z330 simultaneously delivers stunning HD images (1080i or 720p) and SD images. This dual-output capability allows the camera to be integrated into both HD and SD systems, which is good for users who are aiming to migrate into a complete HD system.

Other Features

- Optical Card Slot
- External Synchronization Function
- VISCA Control (RS-232C/RS-422)

SYSTEM CONFIGURATIONS



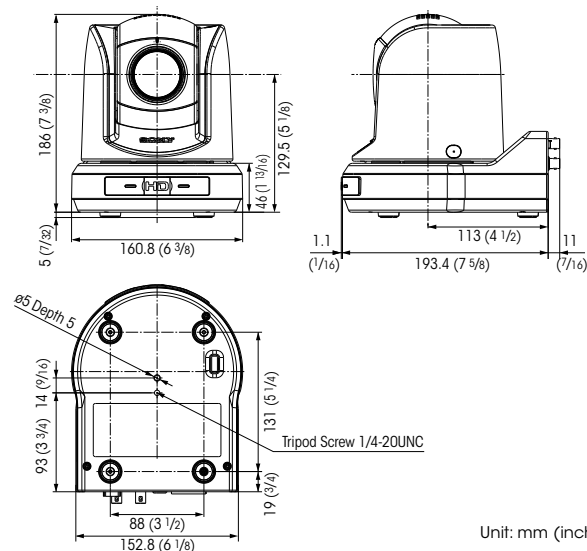
SPECIFICATIONS

BRC-Z330	
Camera	
Signal systems	1080/59.94i, 1080/50i, 720/59.94P, 720/50P
Sync systems	Internal/External
Image device	1/3-type CMOS image sensor
Effective picture elements	Approx. 2 Megapixels
Lens	18x optical zoom (72x with digital zoom)
Focal length	f=4.6 to 82.8 mm (F1.6 to F2.2)
Minimum object distance	100 mm (Wide, Limiter Off), 500 mm (Wide, Limiter On), 1,500 mm (Tele)
Horizontal viewing angle	3.3 to 55.1 degrees
Focusing system	Auto/Manual
Pan/Tilt angle	-175 to +175 degrees (Pan), -30 to +90 degrees (Tilt)
Pan/Tilt speed	0.25 to 60 degrees/s (Pan/Tilt)
Minimum illumination	6 lx (50 IRE, F1.6, +24 dB)
Video S/N ratio	50 dB
Shutter speed	1/10,000 to 1/60 s or 1/10,000 to 1/50 s
Gain	Auto/Manual (-3 to 24 dB and Hyper Gain)
White balance	Auto1/Auto2/Indoor/Outdoor/One-push/Manual
Image flip	On/Off
Preset positions	16 positions
Interfaces	
HD video output	D-Sub 15 pin: Component (Y/Pb/Pr) or RGB, HD, VD or SYNC
SD video output	Composite, Y/C
External sync input	BNC
Camera control	Mini DIN 8 pin: RS-232C (VISCA IN), Mini DIN 8 pin: RS-232C (VISCA OUT), Connector plug 9 pin: RS-422 (VISCA IN/OUT)
General	
Operating temperature	0 to 40 degrees (32 to 104 °F)
Storage temperature	-20 to 60 degrees (-4 to 140 °F)
Power requirements	DC 10.8 to 13.2 V
Power consumption	Max 18 W (without optional cards)
Dimensions (W x H x D)	160.8 x 193.4 x 186 mm (6 3/8 x 7 5/8 x 7 3/8 inches)
Mass	1.9 kg (4 oz)

OPTIONAL ACCESSORIES



DIMENSIONS



REAR PANEL



Distributed by

© 2009 Sony Corporation. All rights reserved.
Reproduction in whole or in part without written permission is prohibited.
Features and benefits are subject to change without notice.
All non-metric weights and measurements are approximate.
Sony is a registered trademark of Sony Corporation.