

PLD-2012PTZ

Home | Security | IP Domes | Standard PTZ

PLD-2012PTZ

1/4" Network Dome, PTZ, 12x, Day&Night,

3.8-45.6mm 720x576, 24VAC, Outdoor

Art-Nr. 200822



Main Features

1/4" network PTZ some with Sony CCD
12x autofocus lens 3.8-45.6mm/12x digital zoom
D1 720x576 pixels, real-time
Compressions H.264/MJPEG
Digitale noise reduction (2D/3D-DNR)
High- and low speed shutter control (sens-up)

WDR (Wide Dynamic Range)
Motion detection, privacy zones
Bi-directional audio
Vandal-resistant housing, clear bubble
Extended temperature range -40°C to +50°C
ONVIF conformity

Specifications

Series	eneo PLD
Resolution standard	SD
System	day&night
Sensor size	1/4"
Imager	CCD
Sensitivity (at 50% video signal)	01 Lux, (colour);0,01lux (B&W)
Horizontal resolution	650 TVL
Automatic gain control (AGC)	supplied
Automatic electronic shutter (ESC)	1/50 ~ 1/10,000sec.
Digital Noise Reduction (DNR)	yes, 2D & 3D
Low speed shutter	yes, ON/OFF switchable
White balance	automatic, indoor, outdoor, ATW, manual
Backlight compensation	BLC

PLD-2012PTZ

(Continuation Specifications)

Wide Dynamic Range (WDR)	WDR
IR cut filter	switchable
Resolution max.	720x576
Resolution	720x576 (4:3)
Image transmission rate max.	25 B./Sek.
Privacy zones masking	16 zones masking, ON/OFF switchable
Activity detection	yes
Motion detector	10 zones
Analysis functions	activity detection
Text display	supplied
Sharpness correction	adjustment range: 0 ~15
Menu languages	German, English, French, Italian, Russian
OSD function control	resolution, presets, motion detection, BLC, DNR, WDR, bit rate, day&night, password
External connections	alarm input, alarm output, audio input, audio output
Video outputs	composite (CVBS), 1Vp-p (C)VBS, 75ohms, BNC
Audio support	yes
Audio	1/1 Line input and output
Alarm inputs	4, 4x for NO/NC contacts
Alarm output	1x Relay out (AC120VAC 30VDC)
Alarm outputs	1x Relay out (AC120VAC 30VDC)
Alarm processing	SD-card recording, alarm out, FTP, E-Mail, PTZ action
Internal storage	microSD card
Compression standard	H.264, MJPEG
Audio standards	G.711, G.726, ADPCM/AAC
Bandwidth	controllable bandwidth and frame rate
Stream types	H.264, MJPEG multiple
Network connection	RJ-45
Network interface	10/100Base-TX, RJ45
Web browser	MS Internet Explorer vers. 7.0 or higher, Safari (Java), Mozilla Firefox (Java), Google Chrome (Java)
Network protocols	TCP/IP, UDP, RTP, RTSP, HTTP, HTTPS, ICMP, FTP, SMTP, DHCP, PP-PoE, UPnP, IGMP, SNMP, IPv4, IPv6, IEE 802.1
Lens type	zoom
Lens mount	-
Focal length	3,8 mm - 45,6 mm
Horizontal angle of view	45,6° - 4°
Aperture range	F1,6~F2,7
Digital zoom	12x
Iris control	DC

PLD-2012PTZ

(Continuation Specifications)

Focus control	automatic and manual
MOD (Minimum object distance)	1 m
Illumination	no
Serial interfaces	no
Remote configuration	via web browser
Firmware update	via network interface
Password protection	two levels (administrator and user), yes
e-PTZ support	no
Speed (manual control)	1-80 °/Sek.
Preset speed	up to 400°/sec.
Rotation range	continuous: 360°
Auto flip function	mechanical, digital, off
Proportional pan and tilt	continually decreases pan and tilt speeds in proportion to depth of zoom
Patterns	8 pattern
Presets	256 presets
Home position	included (with multiple park actions)
Tours	up to 8 user programmable guard tours
Supply voltage	24VAC
Power over Ethernet	no
Heater	yes
Power consumption	55W
Mounting	optional wall/flush mounting accessories, (not supplied)
Temperature range (operation)	-30°C ~+45°C
Vandalism resistant	yes
Housing	outdoor
Housing material	metal / plastic
Colour (housing)	RAL9003
Colour (bubble)	clear
Protection rating	IP66
Management Software Support	Zelaris
SDK	available
ONVIF	ONVIF Test Tool version 1.02.2.10
Certificates	CE, IK10
Dimensions (LxD)	260x190
Weight	2.1kg
Parts supplied	remote viewer software, screw set, manual

Optional accessories

200803	ZELARIS ELEMENTS	Video Management Software, for eneo IP Cameras
--------	------------------	--

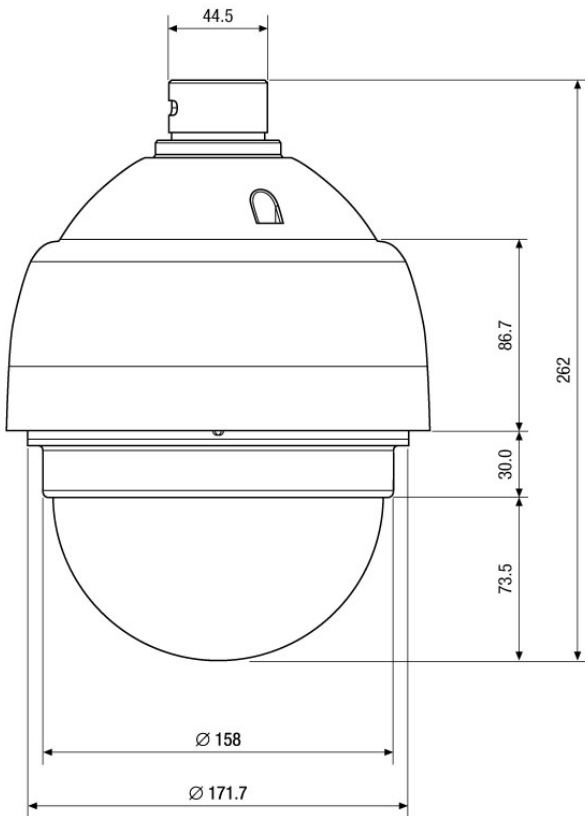
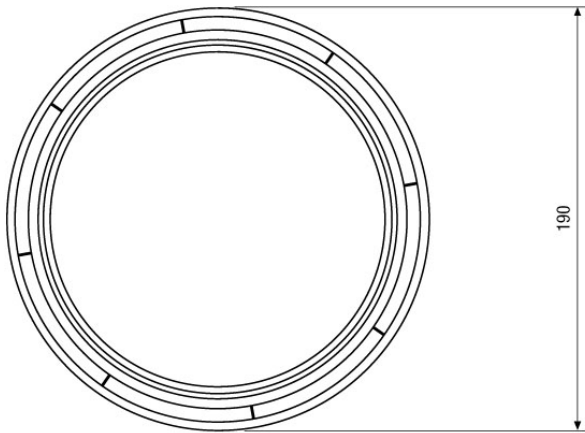
PLD-2012PTZ

200831	PLD-CMA2	Corner Mount Adaptor, for eneo PLD-WMB2
200826	PLD-WMB2	Wall Bracket, for Domes, eneo PLD, PXD Series, 148mm, Safety Rope
200828	NE-135	Power Supply Unit, for Domes eneo PLD, PXD Series, 230V/24VAC, 3A, IP66

PLD-2012PTZ

Home | Security | IP Domes | Standard PTZ

Technical drawing



Maße/Dimensions: mm

GENITECH Comptabilité

36 Rte de Montpellier · 34230 Vendémian · FR
Phone - 01.49.63.74.41 · Telefax - 01.49.63.74.51
genitech@genitech.fr · www.genitech.fr