

HDD-2018PTZ1080

Home | Security | HDcctv / HD-SDI | Boxed

HDD-2018PTZ1080

1/2.8" HD-SDI Dome, PTZ, 18x, Day/Night, 4,7-84,

6mm 1920x1080, 24VAC, Outdoor

Art-Nr. 202149



Main Features

1/2.8" HD-SDI PTZ Dome with Sony Progressive Scan CMOS

18x autofocus-lens 4.7-84,6mm/8x digital-zoom

Full HD 1920x1080 pixel, real-time

HD-SDI videooutput (SMPTE 292M)

Schedule for PTZ and IR functions

Digital noise reduction (DNR)

Backlight compensation (BLC)

Wide Dynamic Range (WDR)

Privacy Zones

alarm in and outputs

Vandal-resistant housing, clear bubble

Extended temperature range -40°C to +50°C

Specifications

Series	eneo HD-SDI
System	day&night
Sensor size	1/2,8"
Imager	CMOS, Sony Progressive scan
Resolution	1920x1080 (16:9), 1280x720 (16:9)
Frame rate	1080 @ 25/30p, 720 @ 50/60p
Signal-to-noise ratio	-50 db
Sensitivity (at 50% video signal)	0,3 Lux, (colour);0.04Lux (b&w)
Exposure modes	shutter priority, automatic, iris priority, manual
Automatic electronic shutter (ESC)	1/50 ~ 1/10,000sec.
Manual electronic shutter (MES)	1/50 ~ 1/10.000sec.
Low speed shutter	no
Digital Noise Reduction (DNR)	yes, 2D NR

HDD-2018PTZ1080

(Continuation Specifications)

Backlight compensation	BLC, ON/OFF switchable
Wide Dynamic Range (WDR)	yes, ON/OFF switchable
White balance	automatic, indoor, outdoor, ATW, manual
Aperture Correction (APC)	horizontal and vertical
IR cut filter	switchable
Day/Night switching	auto, day, night
Privacy zones masking	16 zones masking, ON/OFF switchable
Menu languages	English
OSD function control	resolution, presets, BLC, digital noise reduction (DNR), WDR, colour/B&W, privacy zones, shutter mode
Text display	20 character labels
Activity detection	no
Mirror function	vertical, horizontal
Digital zoom	8x
Analysis functions	no
Lens type	zoom
Zoom factor	18x
Focal length	4,7 mm - 84,6 mm
Horizontal angle of view	54,2° - 3,2°
MOD (Minimum object distance)	0,3 m
Aperture range (F)	F1,6~F2,7
Iris control	DC
External adjustments	Baud rate, protocol type, ID
Video outputs	HD-SDI, HD-SDI (BNC)
Alarm inputs	4
Alarm outputs	2 (NO/NC)
Speed (manual control)	1-80 °/Sek.
Preset speed	400 °/Sek.
Rotation range	360°
Tilt range	-10°~190°
Patterns	8 pattern
Tours	up to 8 user programmable guard tours
Autoscan	4x Autopan
Proportional pan and tilt	continually decreases pan and tilt speeds in proportion to depth of zoom
Auto flip function	mechanical, digital
Home position	included (with multiple park actions)
Auto calibration	yes
Presets	256 presets
Illumination	no
Serial interfaces	RS-485

HDD-2018PTZ1080

(Continuation Specifications)

Serial interfaces protocols	Pelco D, Pelco P, JVC, VCL, Philips
Housing material	metal / plastic
Colour (bubble)	clear
Colour (housing)	RAL9003
Blower	yes
Mounting	optional wall/flush mounting accessories, (not supplied)
Supply voltage	24VAC, 24VAC ($\pm 10\%$), 50/60Hz
Power consumption	65W
Temperature range (operation)	-40°C ~+50°C
Vandalism resistant	yes
Protection rating	IP66
Dimensions (HxWxD)	282,11x191,97
Parts supplied	manual, screw set, plug set, allen key
Certificates	CE, IK10

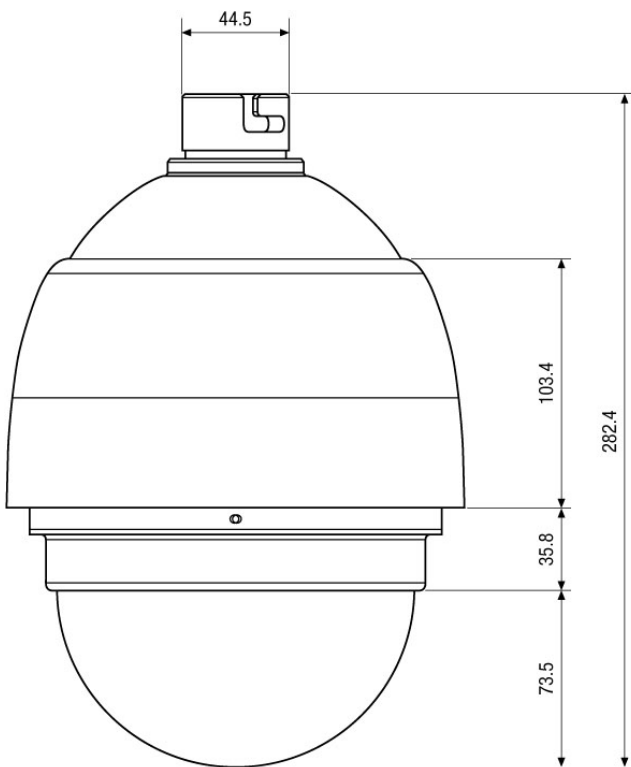
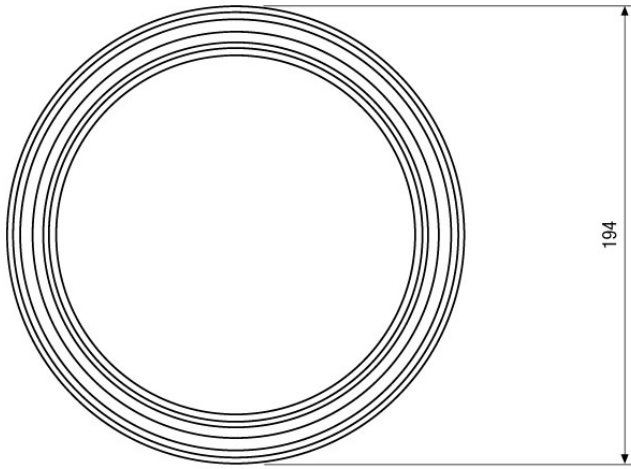
Optional accessories

200828	NE-135	Power Supply Unit, for Domes eneo PLD, PXD Series, 230V/24VAC, 3A, IP66
200830	PLD-CMA1	Corner Mount Adaptor, for eneo PLD-WMB1, PLD-WMB2
200825	PLD-WMB1	Wall Bracket, for Domes, eneo PLD, PXD Series, 348mm, Safety Rope

HDD-2018PTZ1080

Home | Security | HDcctv / HD-SDI | Boxed

Technical drawing



Maße/Dimensions: mm

GENITECH Comptabilité

36 Rte de Montpellier · 34230 Vendémian · FR
Phone - 01.49.63.74.41 · Telefax - 01.49.63.74.51
genitech@genitech.fr · www.genitech.fr