

NXC-1404F03W

Home | Security | IP Cameras | Megapixel

NXC-1404F03W
1/4" Network Camera, H.264, 2DNR, 1600x1200,
2.6mm, 5VDC, WiFi, ONVIF

Art-Nr. 204288



Main Features

1/4" 2 megapixel CMOS sensor
Resolution of 1600 x 1200 (HD 720p) max.
Simultaneous video streaming (H.264/MJPEG)
Privacy zone masking
Integrated motion detection

E-PTZ function
PIR sensor and illumination LED
Microphone and speaker, Wifi function
Easy and flexible installation
Local recording on Micro SD card

Specifications

Series	eneo NX
Resolution standard	HD 720p
System	colour
Sensor size	1/4"
Imager	CMOS
Sensitivity	1 Lux, (colour)
Digital Noise Reduction (DNR)	yes, 2D-DNR
Low speed shutter	yes, ON/OFF switchable
Backlight compensation	no
Wide Dynamic Range (WDR)	no
IR cut filter	standard
Activity detection	yes
Motion detector	8 zones, ON/OFF switchable
Menu languages	English, Russian, Korean

NXC-1404F03W

(Continuation Specifications)

Video outputs	no
Audio support	yes
Alarm inputs	no
Internal storage	microSD card
	H.264, M-JPEG, MPEG-4
Resolution max.	1600x1200
Resolution	1600x1200 (4:3), 1280x1024 (5:4), 1280x720 (16:9), 800x600 (4:3), 704x576 (4:3), 720x480 (4:3), 640x480 (4:3), 352x288 (4:3), 352:240 (4:3), 320x240 (4:3)
Image transmission rate max.	25 fps
Ethernet interface	Wireless LAN (IEEE 802.11b/g/n), 100Base-TX, 10Base-T
Web browser	MS Internet Explorer Vers. 6.0, Mozilla Firefox (Java, Quick time), Safari (Java), Google Chrome (Java), Opera
Network protocols	TCP/IP, UDP, HTTP, RTP, RTSP, NTP, DHCP, SMTP, DDNS, HTTPS, RTCP, FTP, SNMP
Stream types	H.264, MPEG-4, MJPEG multiple (3 Streams)
Lens type	fixed focal length
Focal length	2,6 mm
Aperture range	F1,8
Digital zoom	yes
Horizontal angle of view	64°
Remote configuration	web browser
Password protection	yes
e-PTZ support	yes
Supply voltage	5VDC
Power consumption	3.5W
Temperature range (operation)	0°C ~+40°C
Housing material	plastic
Housing	indoor, Cube
Protection rating	n/a
Window heater	no
Vandalism resistant	no
Management Software Support	www.eneo-security.com/software
SDK	upon request
ONVIF	yes, ONVIF Test Tool Version 1.02.4
Dimensions (HxWxD)	97x62x39mm
Weight	75g
Parts supplied	PSU, wall bracket
Special features	PIR sensor, White illumination LED, Microphone and speaker
Certificates	CE

NXC-1404F03W

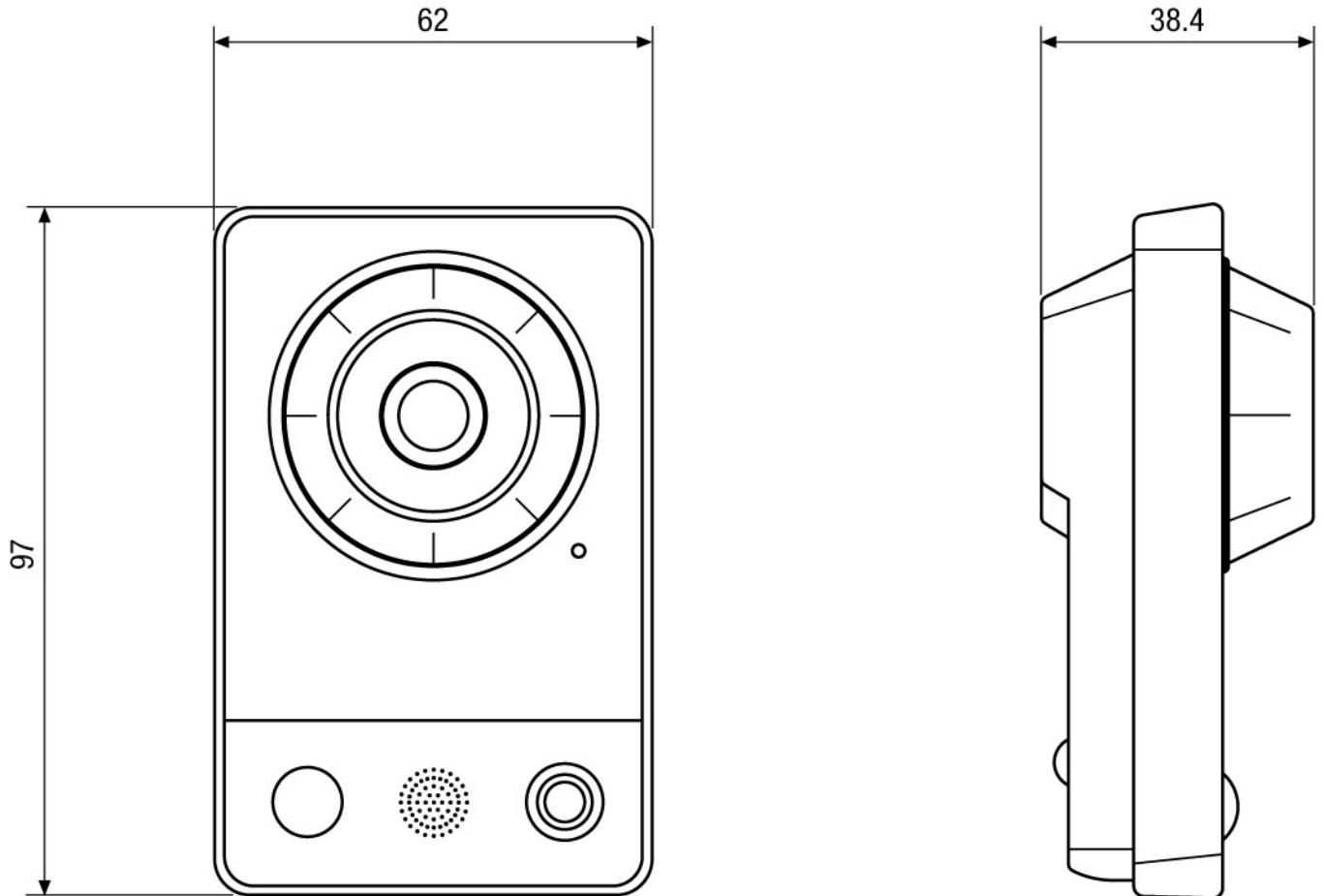
Optional accessories

204193	PNR-5104	Network Video Recorder, 4xIP, 1920x1080, 120fps, 1TB, H.264, MPEG-4, M-JPEG
204192	PNR-5108	Network Video Recorder, 8xIP, 1920x1080, 200fps, 1TB, H.264, MPEG-4, M-JPEG
202563	PNR-5116	Network Video Recorder, 16xIP, 1920x1080, 320fps, 1TB, H.264, MPEG-4, M-JPEG
202562	PNR-5216	Network Video Recorder, 16xIP, 1920x1080, 480fps, 1TB, H.264, MPEG-4, M-JPEG, DVI, D-Sub

NXC-1404F03W

Home | Security | IP Cameras | Megapixel

Technical drawing



Maße/Dimensions: mm

GENITECH Comptabilité

36 Rte de Montpellier · 34230 Vendémian · FR
Phone - 0811.040.048 · Telefax - 01.49.63.74.51
genitech@genitech.fr · — www.genitech.fr

GENITECH