

EDCH-143E/C-AKS

Home | Security | Domes | PTZ

EDCH-143E/C-AKS

1/4" Dome, PTZ, Day&Night, clear, 22x,

Power & Connection Box, 580TVL, 24VAC

Art-Nr. 74141



Main Features

Vandalism resistant colour/b&w dome camera

22x optical and 11x digital zoom (242 total)

Zoom lens F1.6/3.9-85.8mm/ Removable IR cut filter

High and low speed shutter

80 presets / 2 patterns / Digital flip

4 tours and 4 autopans

8 dynamic window blanking (privacy zones)

RS-485 control interface

Supply voltage: 230VAC, 50Hz

Outdoor housing with clear bubble

Sunshield, heater and blower kit included

Power & connection box EDC-AKS1 as accessory

Specifications

Series	eneo Fastrax Plug & Play
System	day&night
Video standard	CCIR/PAL
Sensor size	1/4"
Imager	CCD, Sony ExView HAD Interline Transfer
Horizontal resolution	580 TVL
Synchronization	Internal/AC line lock, phase adjustment via remote control
Signal-to-noise ratio	50dB
Sensitivity (at 50% video signal)	0,38 Lux, (colour); 0.19Lux (B&W) at F1.2 (measured)
Automatic gain control (AGC)	ON/OFF switchable
Automatic electronic shutter (ESC)	1/50 ~ 1/100,000sec.
Manual electronic shutter (MES)	1/50 ~ 1/100,000sec.
Low speed shutter	yes, 2 ~50 fps.

EDCH-143E/C-AKS

(Continuation Specifications)

Digital Noise Reduction (DNR)	yes, 2D & 3D
Backlight compensation	BLC, ON/OFF switchable
Wide Dynamic Range (WDR)	yes, 54dB
White balance	automatic (AWB) selectable for indoor and outdoor or manual
Aperture Correction (APC)	horizontal and vertical
Flickerless function	yes
IR cut filter	switchable
Day/Night switching	auto, On, Off, global
Privacy zones masking	8 zones masking with block or video OFF option
Menu languages	German, English, French, Spanish, Portugese, Italian, Polish
Text display	6 character labels, ON/OFF switchable
Activity detection	yes
Motion detector	in preset mode only
Mirror function	180° rotation
Digital zoom	16x
Analysis Functions	no
Lens type	zoom
Zoom factor	22x
Focal length	3,9 mm - 85,8 mm
Horizontal angle of view	49,5° - 2,4°
MOD (Minimum object distance)	1,0 m
Aperture range (F)	F1.6 (3.7) ~F140
Iris control	DC
Video outputs	composite (CVBS), 1Vp-p, (C)VBS, 75ohms, BNC
Alarm inputs	1
Alarm outputs	1
Speed (manual control)	380 °/Sek.
Speed range at manual control (pan)	0.1° ~380°/sec. (Proportional to zoom)
Speed range at manual control (tilt)	0.1° ~380°/sec. (Proportional to zoom)
Preset speed	380 °/Sek.
Rotation range	360°
Tilt range	-10° ~+90° (Auto Flip)
Backlash	0.2°
Patterns	4 patterns up to 200sec. total
Tours	up to 4 user programmable guard tours
Autoscan	4 User programmable auto scans, 1x Autopan
Proportional pan and tilt	continually decreases pan and tilt speeds in proportion to depth of zoom
Auto flip function	180° digital flip (turns the video output from the camera upside down and reverses it horizontally)
Home Position	included

EDCH-143E/C-AKS

(Continuation Specifications)

Presets	160 presets with with camera status (12-character title display)
Illumination	no
Serial interfaces	RS-485
Serial interfaces protocols	Fastrax IIE, Pelco D, Pelco P, Sensormatic RS-422, Ernitec, Bosch, Dynacolor, Vicon
Housing material	aluminium
Bubble	6.3" (160mm), clear acrylic plastic
Colour (bubble)	clear
Colour (housing)	Pantone Cool Gray 1C
Blower	yes
Mounting	wall pendant mount
Supply voltage	230VAC
Power consumption	Approx. 55W
Temperature range (operation)	-45°C ~+50°C
Vandalism resistant	yes
Protection rating	IP66
Dimensions (HxWxD)	see drawing
Weight	3.3kg
Parts supplied	camera, wall bracket, power&connection box, allen key, manual
Certificates	CE

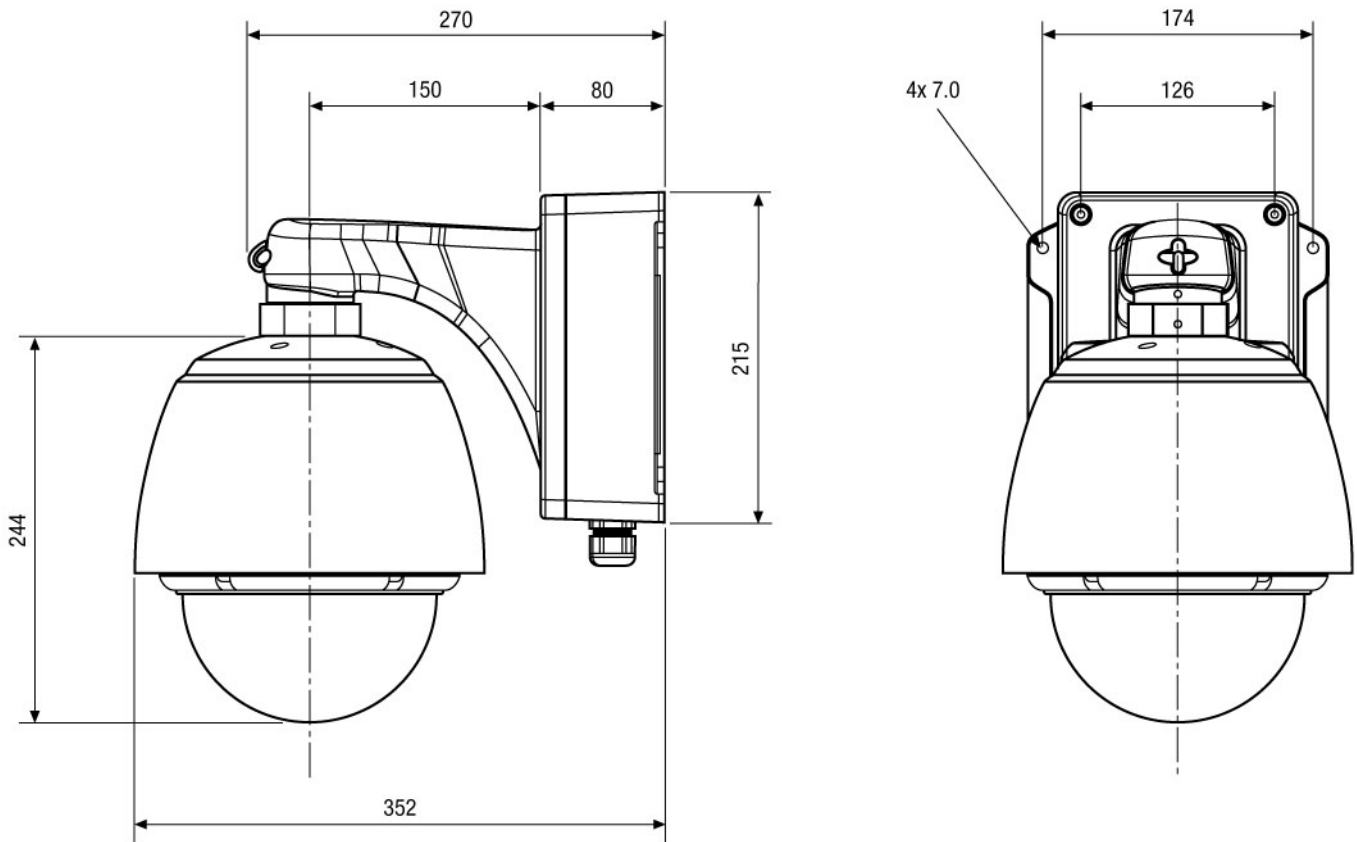
Optional accessories

74088	EDC-KBD1	System Keyboard with 3-axis Joystick, 12VDC
74138	EDC-AKS1/MP	Adapter Plate for Fixation of EDC-AKS1 to EDC-PM7 or EDC-CMA2

EDCH-143E/C-AKS

Home | Security | Domes | PTZ

Technical drawing



Maße / Dimensions: mm

GENITECH

108, rue Henri Barbusse - 95100 Argenteuil - FR
Phone - 01.49.63.74.41 - Telefax - 01.49.63.74.51
ecorbeau@genitech.fr - www.genitech.fr

GENITECH