

EDC-3351

Home | Security | Domes | PTZ

EDC-3351

1/4" Dome, PTZ, Day&Night, clear, 35x,

Autocalibration, 540TVL, 24VAC

Art-Nr. 74159



Main Features

High resolution colour/b&w (Super HAD CCD)
Wide dynamic range (WDR)
Digital image stabilization (DIS)
Auto calibration
35x optical and 12x digital zoom (264 total)
Removable IR cut filter

High and low speed shutter control (MES/ESC/DSS)
Pattern, tour and autopan function
240 presets
Dynamic window blanking
RS-485/RS-422 control interface
8 alarm inputs / 4 outputs

Specifications

Series	eneo Fastrax III
System	day&night
Video standard	CCIR/PAL
Sensor size	1/4"
Imager	CCD, Sony Super HAD Interline Transfer
Horizontal resolution	540 TVL
Synchronization	Internal/AC line lock, phase adjustment via remote control
Signal-to-noise ratio	50dB
Sensitivity (at 50% video signal)	0,6 Lux, (colour), 0.3Lux (B&W) at F1.2 (measured)
Low speed shutter	yes, 2 ~32 fps.
Digital Noise Reduction (DNR)	no
Backlight compensation	BLC
Wide Dynamic Range (WDR)	yes

EDC-3351

(Continuation Specifications)

White balance	modes: manually, automatic, indoor, outdoor, ATW, AWC
IR cut filter	switchable
Privacy zones masking	8 zones masking with block or video OFF option
Menu languages	English, German, French, Spanish, Portuguese, Italian, Polish
Text display	12 character labels
Activity detection	yes
Motion detector	in preset mode only
Digital zoom	12x
Analysis Functions	activity detection
Lens type	zoom
Zoom factor	35x
Focal length	3,4 mm - 119 mm
Horizontal angle of view	55,8° - 1,7°
MOD (Minimum object distance)	1,0 m
Video outputs	composite (CVBS), 1Vp-p, (C)VBS, 75ohms, BNC
Alarm inputs	8
Alarm outputs	4
Speed (manual control)	380 °/Sek.
Speed range at manual control (pan)	0.1° ~380°/sec. (Proportional to zoom)
Speed range at manual control (tilt)	0.1° ~200°/sec. (Proportional to zoom)
Preset speed	380 °/Sek.
Rotation range	360°
Tilt range	180° (Digital Flip)
Backlash	0.2°
Patterns	8 patterns up to 500sec.
Tours	up to 8 programmable guard tours, consisting of 42 presets each and up to 12 character title display
Autoscan	16 User programmable auto scans with 13 selectable speeds and 12 character title display
Proportional pan and tilt	continually decreases pan and tilt speeds in proportion to depth of zoom
Auto flip function	rotates dome camera's picture by 180° at bottom of tilt travel (Digital Flip)
Home Position	included
Presets	240 presets with with camera status (12-character title display)
Illumination	no
Serial interfaces	RS-422, RS-485
Housing material	plastic
Bubble	4.9" (125mm), clear acrylic plastic
Colour (bubble)	clear
Colour (housing)	black

EDC-3351

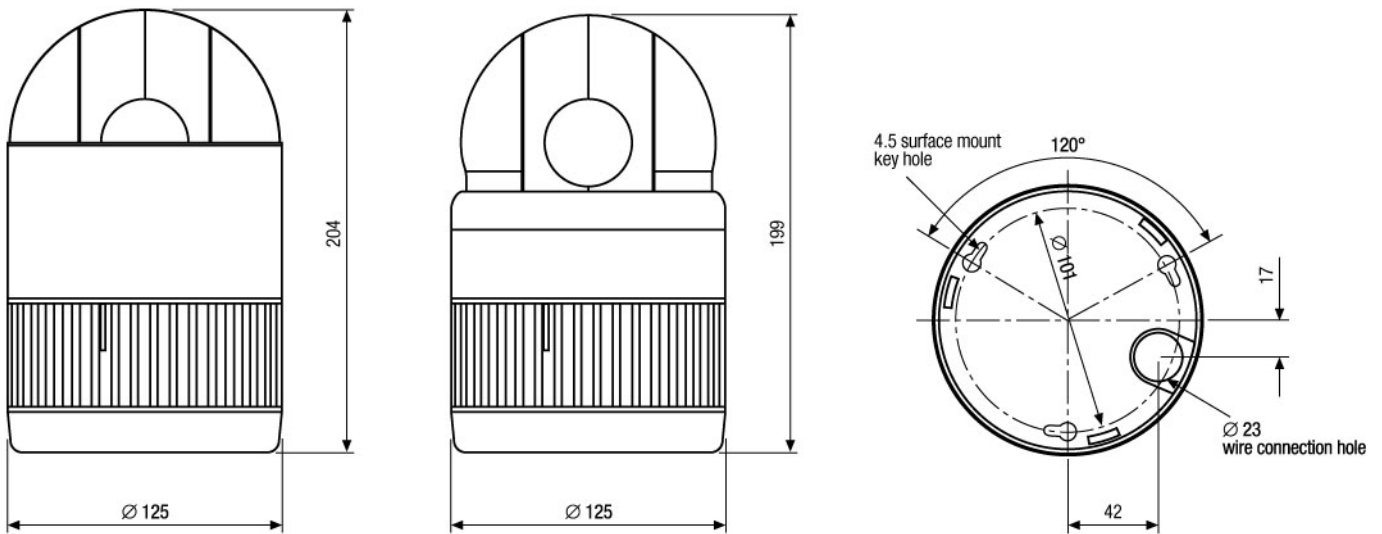
(Continuation Specifications)

Mounting	ceiling mount, housing assy
Supply voltage	24VAC, (18 ~30VAC), 50/60Hz
Power consumption	20W
Temperature range (operation)	0°C ~+50°C
Vandalism resistant	no
Protection rating	n/a
Dimensions (HxWxD)	see drawing
Weight	1.25kg
Certificates	CE
Special feature	Auto calibration

Optional accessories

74088	EDC-KBD1	System Keyboard with 3-axis Joystick, 12VDC
70449	NE-128	Voltage supply unit 230V/24VAC-5A, IP66
74135	EDC-IPC-2/24V	Pendant Mount Indoor Dome Housing with Clear Bubble 6.5", 24VAC
74130	EDC-OPC-2/24V	Pendant Mount Outdoor Dome Housing, Sun Shield, Clear Bubble 6.5", 24VAC
74154	EDC-IDFSW	Flush Mount Dome Housing, White Trimring Smoked Bubble 6.8"

Technical drawing



Maße/Dimensions: mm

GENITECH

108, rue Henri Barbusse - 95100 Argenteuil - FR
Phone - 01.49.63.74.41 - Telefax - 01.49.63.74.51
ecorbeau@genitech.fr - www.genitech.fr

GENITECH