

EDC-3222

Home | Security | Domes | PTZ

EDC-3222

1/4" Dome, PTZ, Day&Night, WDR, BLC, clear, 22x,

580TVL, 24VAC, Indoor

Art-Nr. 74193



Main Features

High resolution day&night camera with ExView CCD
Integral 22x AF zoom lens / 16x digital zoom
True D&N mode with IR cut filter (ICR)
Advanced wide dynamic range (WDR) upto x512 (54dB)
Powerful digital noise reduction (2D/3D DNR)
High and low speed shutter control (MES+DSS)

Auto calibration (0.1 ~6°)
Preset, pattern, tour and autopan function
Privacy masking up to 16 zones
On-screen menu control (OSD)
RS-485/RS-422 control interface
Supply voltage: 24VDC/AC, 50/60Hz

Specifications

| | |
|------------------------------------|--|
| Series | eneo Fastrax III |
| System | day&night |
| Video standard | CCIR/PAL |
| Sensor size | 1/4" |
| Imager | CCD, Sony ExView HAD Interline Transfer |
| Active picture elements | 795(H) x 596(V) pixels |
| Horizontal resolution | 580 TVL |
| Synchronization | Internal/AC line lock, phase adjustment via remote control |
| Signal-to-noise ratio | 50dB (AGC OFF) |
| Sensitivity (at 50% video signal) | 1,0 Lux, (colour), 0.1Lux (B&W) at F1.2 (measured) |
| Automatic electronic shutter (ESC) | yes |
| Manual electronic shutter (MES) | 1/50 ~ 1/100,000sec. |
| Low speed shutter | yes |

EDC-3222

(Continuation Specifications)

| | |
|---|--|
| Digital Noise Reduction (DNR) | yes |
| Backlight compensation | BLC |
| Wide Dynamic Range (WDR) | yes, 54dB |
| White balance | modes: manually, automatic, indoor, outdoor, ATW, AWC |
| Aperture Correction (APC) | horizontal, vertical |
| Flickerless function | yes |
| IR cut filter | switchable |
| Privacy zones masking | 8 zones masking with block or video OFF option |
| Menu languages | German, English, French, Spanish, Italian, Portugese, Polish |
| OSD function control | day&night, AGC, BLC, AWB, iris, MOD, flickerless, digital zoom, digital noise reduction (DNR), WDR, shutter mode |
| Text display | 16 character label |
| Activity detection | yes |
| Mirror function | vertical |
| Digital zoom | 16x |
| Analysis Functions | activity detection |
| Lens type | zoom |
| Zoom factor | 22x |
| Focal length | 3,9 mm - 85,8 mm |
| Horizontal angle of view | 49,5° - 2,46° |
| MOD (Minimum object distance) | 1,0 m |
| Aperture range (F) | F1.6 (3.6) ~F130 |
| External adjustments | ID, Baud rate, Termination and protocol type switches |
| Video outputs | composite (CVBS), 1Vp-p, (C)VBS, 75ohms, BNC |
| Alarm inputs | 8 |
| Alarm outputs | 4 |
| Speed (manual control) | 380 °/Sek. |
| Speed range at manual control (pan) | 0.1° ~380°/sec. (Proportional to zoom) |
| Speed range at manual control (tilt) | 0.1° ~200°/sec. (Proportional to zoom) |
| Preset speed | 380 °/Sek. |
| Rotation range | 360° |
| Tilt range | -10° ~+190° (Digital Flip) |
| Backlash | 0.2° |
| Patterns | 8 patterns up to 500sec. |
| Tours | up to 8 programmable guard tours, consisting of 42 presets each and up to 12 character title display |
| Autoscan | 16 User programmable auto scans with 13 selectable speeds and 12 character title display |
| Proportional pan and tilt | continually decreases pan and tilt speeds in proportion to depth of zoom |

EDC-3222

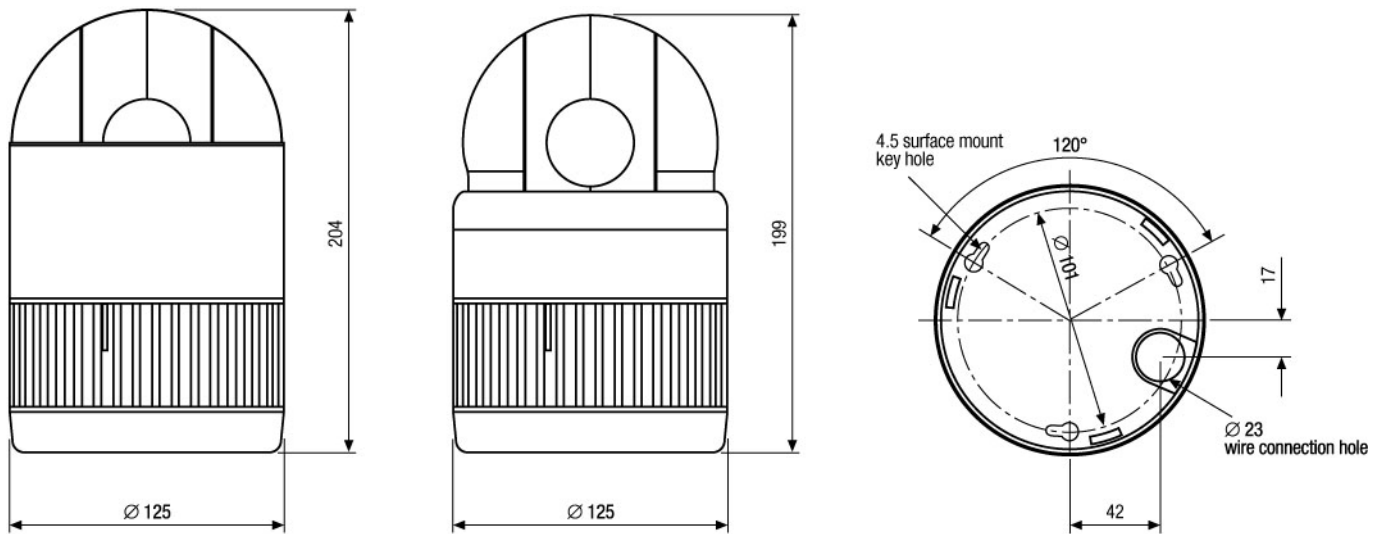
(Continuation Specifications)

| | |
|--------------------------------------|---|
| Auto flip function | 180° digital flip (turns the video output from the camera upside down and reverses it horizontally) |
| Home Position | included |
| Presets | 240 presets with with camera status (12-character title display) |
| Illumination | no |
| Serial interfaces | RS-422, RS-485 |
| Housing material | plastic |
| Bubble | 4.9" (125mm), clear acrylic plastic |
| Colour (bubble) | clear |
| Colour (housing) | black |
| Mounting | ceiling mount, housing assy |
| Supply voltage | 24VAC, (18 ~30VAC), 50/60Hz |
| Power consumption | 20W |
| Temperature range (operation) | 0°C ~+50°C |
| Vandalism resistant | no |
| Protection rating | n/a |
| Weight | 1.25kg |
| Parts supplied | Camera, Manual |
| Certificates | CE |

Optional accessories

| | | |
|-------|---------------|--|
| 74088 | EDC-KBD1 | System Keyboard with 3-axis Joystick, 12VDC |
| 70449 | NE-128 | Voltage supply unit 230V/24VAC-5A, IP66 |
| 74135 | EDC-IPC-2/24V | Pendant Mount Indoor Dome Housing with Clear Bubble 6.5", 24VAC |
| 74130 | EDC-OPC-2/24V | Pendant Mount Outdoor Dome Housing, Sun Shield, Clear Bubble 6.5", 24VAC |
| 74154 | EDC-IDFSW | Flush Mount Dome Housing, White Trimring Smoked Bubble 6.8" |

Technical drawing



Maße/Dimensions: mm

GENITECH

108, rue Henri Barbusse - 95100 Argenteuil - FR
Phone - 01.49.63.74.41 - Telefax - 01.49.63.74.51
ecorbeau@genitech.fr - www.genitech.fr