

EDCH-143E/C

Home | Security | Domes | PTZ

EDCH-143E/C
1/4" Dome, PTZ, Day&Night, clear, 22x, WDR,
580TVL, 24VAC

Art-Nr. 74222



Main Features

Vandalism resistant colour/b&w dome camera
22x optical and 16x digital zoom (242 total)
Zoom lens F1.6/3.9-85.8mm/ Removable IR cut filter
High and low speed shutter control (MES/ESC/DSS)
160 presets / 4 patterns / Digital flip
4 tours and 4 autoscans

8 dynamic window blanking (privacy zones)
RS-485 control interface
Supply voltage: 18 to 30VAC, 50/60Hz
Outdoor housing with clear bubble
Sunshield, heater and blower kit included
Ready for installation (prewired)

Specifications

Series	eneo Fastrax Plug & Play
System	day&night
Video standard	CCIR/PAL
Sensor size	1/4"
Imager	CCD, Sony ExView HAD Interline Transfer
Horizontal resolution	580 TVL
Synchronization	Internal/AC line lock, phase adjustment via remote control
Signal-to-noise ratio	50dB
Gamma correction	0.45
Sensitivity (at 50% video signal)	0,38 Lux, (colour); 0.19Lux (B&W) at F1.2 (measured)
Automatic gain control (AGC)	ON/OFF switchable
Automatic electronic shutter (ESC)	1/50 ~ 1/100,000sec.
Manual electronic shutter (MES)	1/50 ~ 1/100,000sec.

EDCH-143E/C

(Continuation Specifications)

Low speed shutter	yes, 2 ~50 fps.
Digital Noise Reduction (DNR)	yes, 2D & 3D
Backlight compensation	BLC, ON/OFF switchable
Wide Dynamic Range (WDR)	yes, 54dB
White balance	automatic (AWB) selectable for indoor and outdoor or manual
Aperture Correction (APC)	horizontal and vertical
Flickerless function	yes
IR cut filter	switchable
Day/Night switching	auto, On, Off, global
Privacy zones masking	8 zones masking with block or video OFF option
Menu languages	German, English, French, Spanish, Italian, Portugese, Polish
Text display	6 character labels, ON/OFF switchable
Activity detection	yes
Motion detector	in preset mode only
Mirror function	180° rotation
Digital zoom	16x
Analysis Functions	no
Lens type	zoom
Zoom factor	22x
Focal length	3,9 mm - 85,8 mm
Horizontal angle of view	47° - 2,6°
MOD (Minimum object distance)	1,0 m
Aperture range (F)	F1.6 (3.7) ~F140
Iris control	DC
Video outputs	composite (CVBS), 1Vp-p, (C)VBS, 75ohms, BNC
Alarm inputs	4
Alarm outputs	1
Speed (manual control)	380 °/Sek.
Speed range at manual control (pan)	0.1° ~380°/sec. (Proportional to zoom)
Speed range at manual control (tilt)	0.1° ~380°/sec. (Proportional to zoom)
Preset speed	380 °/Sek.
Rotation range	360°
Tilt range	-10° ~+90° (Auto Flip)
Backlash	0.2°
Patterns	4 patterns up to 200sec. total
Tours	up to 4 user programmable guard tours
Autoscan	4 User programmable auto scans, 1x Autopan
Proportional pan and tilt	continually decreases pan and tilt speeds in proportion to depth of zoom
Auto flip function	180° digital flip (turns the video output from the camera upside down and reverses it horizontally)

EDCH-143E/C

(Continuation Specifications)

Home Position	included
Presets	160 presets with with camera status (12-character title display)
Illumination	no
Serial interfaces	RS-485
Serial interfaces protocols	Fastrax IIE, Pelco D, Pelco P, Sensormatic RS-422, Ernitec, Bosch, Dynacolor, Vicon
Housing material	aluminium
Bubble	6.3" (160mm), clear acrylic plastic
Colour (bubble)	clear
Colour (housing)	Pantone Cool Gray 1C
Blower	yes
Mounting	optional wall/flush mounting accessorie
Supply voltage	24VAC, (18 ~30VAC), 50/60Hz
Power consumption	Approx. 55W
Temperature range (operation)	-45°C ~+50°C
Vandalism resistant	yes
Protection rating	IP66
Dimensions (HxWxD)	see drawing
Weight	3.3kg
Parts supplied	camera, allen key, manual
Certificates	CE

Optional accessories

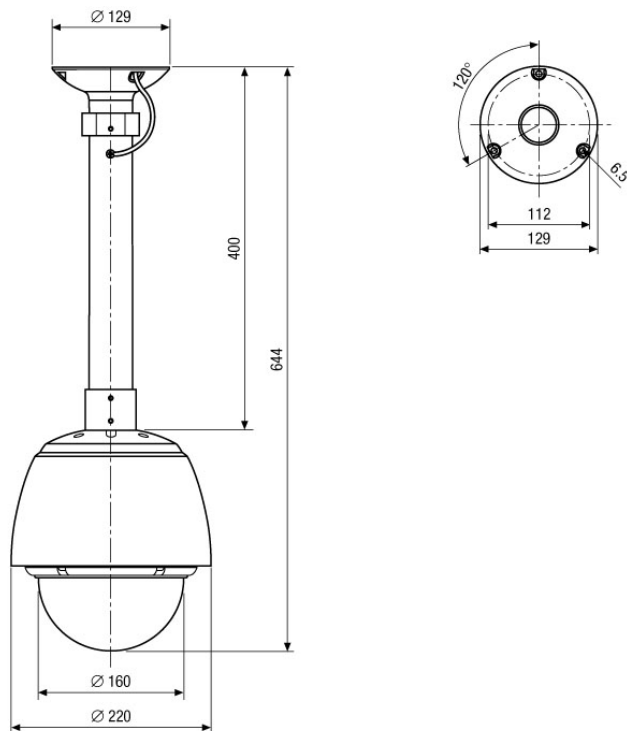
74088	EDC-KBD1	System Keyboard with 3-axis Joystick, 12VDC
74125	EDC-AKS1	Power&Connection Box with Mounting Bracket for In/Outdoor, 230V-24VAC/3.0A

EDCH-143E/C

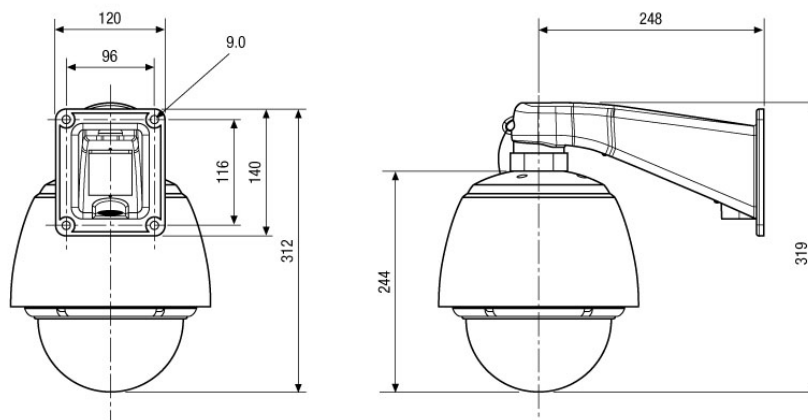
Home | Security | Domes | PTZ

Technical drawing

Deckenmontage / Ceiling mount



Wandmontage / Wall mount



Der Wandmontagearm und die Deckenhalterung sind im Lieferumfang der Domekamera nicht enthalten.
Wall bracket and ceiling tube are not included with the dome camera.

Maße / Dimensions: mm

GENITECH

108, rue Henri Barbusse - 95100 Argenteuil - FR
Phone - 01.49.63.74.41 - Telefax - 01.49.63.74.51
ecorbeau@genitech.fr - www.genitech.fr

GENITECH