

VMC-10.4LCD-CP

Home | Security | Monitors | TFT/LCD

VMC-10.4LCD-CP
10.4"(26.4cm) LCD/TFT Monitor, 800x600, 12VDC,

Pedestal, silvergrey

Art-Nr. 90438



Main Features

10.4"(26.4cm) display screen size
PAL/NTSC auto selection
Multi language on-screen menu control
Resolution of 800x600 px.
CVBS, S-Video, RGB and Audio inputs

Built-in loudspeaker
Angled monitor stand included
Supply voltage: 12VDC
Robust plastic cabinet
Different ranges of applications

Specifications

Video standard	PAL, NTSC (Auto detection)
Scanning frequency range (H)	15.63 ~15.73kHz
Scanning frequency range (V)	50 ~60Hz
Synchronization	TTL Separate, Composite
Display element	Colour TFT/LCD, Total no. of pixels: 480 000
Screen size	10.4"
Screen Size (cm)	26.4 cm
Active area	211.7 (H) x 158.4 (V) mm
Pixel format	800 (H) x 600 (V) 0.264x0.264mm
Pixel fault class	ISO 13406-2, Class II
Horizontal resolution	approx. 420 TV lines (CVBS)
Resolution pixels	800x600
Comb Filter [#1]	no
Colour scales	262,144 (6bit)

VMC-10.4LCD-CP

(Continuation Specifications)

Contrast ratio typical	400:1
Brightness typical	220 cd/m ²
Viewing angle vertical	80°
Viewing angle horizontal	110°
Response time typical	45 ms, 45ms (tr: 15 / tf: 30)
PC interfaces	RGB, VESA standard: VGA to SVGA, 15-pin
Input signals	Composite video, S-VHS, RGB (switchable), Audio
Video inputs (type)	Y/C, VGA, composite (CVBS)
Video inputs	CVBS: 1Vp-p, 75ohms, Cinch Y/C: Y= 0.7Vp-p, C= 0.3Vp-p, 75ohms, 4-pin MiniDIN
Audio inputs	1, Mono input, 400mVrms
Loudspeaker	0.5watts
Menu languages	English, German, French, Spanish, Italian, Korean, Japanese
Supply voltage	12VDC +/-5% (Power supply unit included)
Power consumption	9.6W max.
External adjustments	On/Off, Menu, Mode, Cursor
Temperature range (operation)	0°C ~+50°C
Housing material	plastic
Mount	Angled stand and 4x threads M3, 50x55mm, for wall mounting (see drawing)
Colour (housing)	silver grey
Colour	Silver Metallic
Dimensions (HxWxD)	see drawing
Weight	1.5kg
Parts supplied	Monitor stand, PSU 100~240V/12VDC with power cord, Multiple connection cable (S-Video IN, Power IN, CVBS IN, Audio IN), VGA cable, Cigarette lighter adapter cable, AV adapter cable, Cinch/BNC adapter, IR remote control unit, Multiple language manual
Certificates	CE, E11

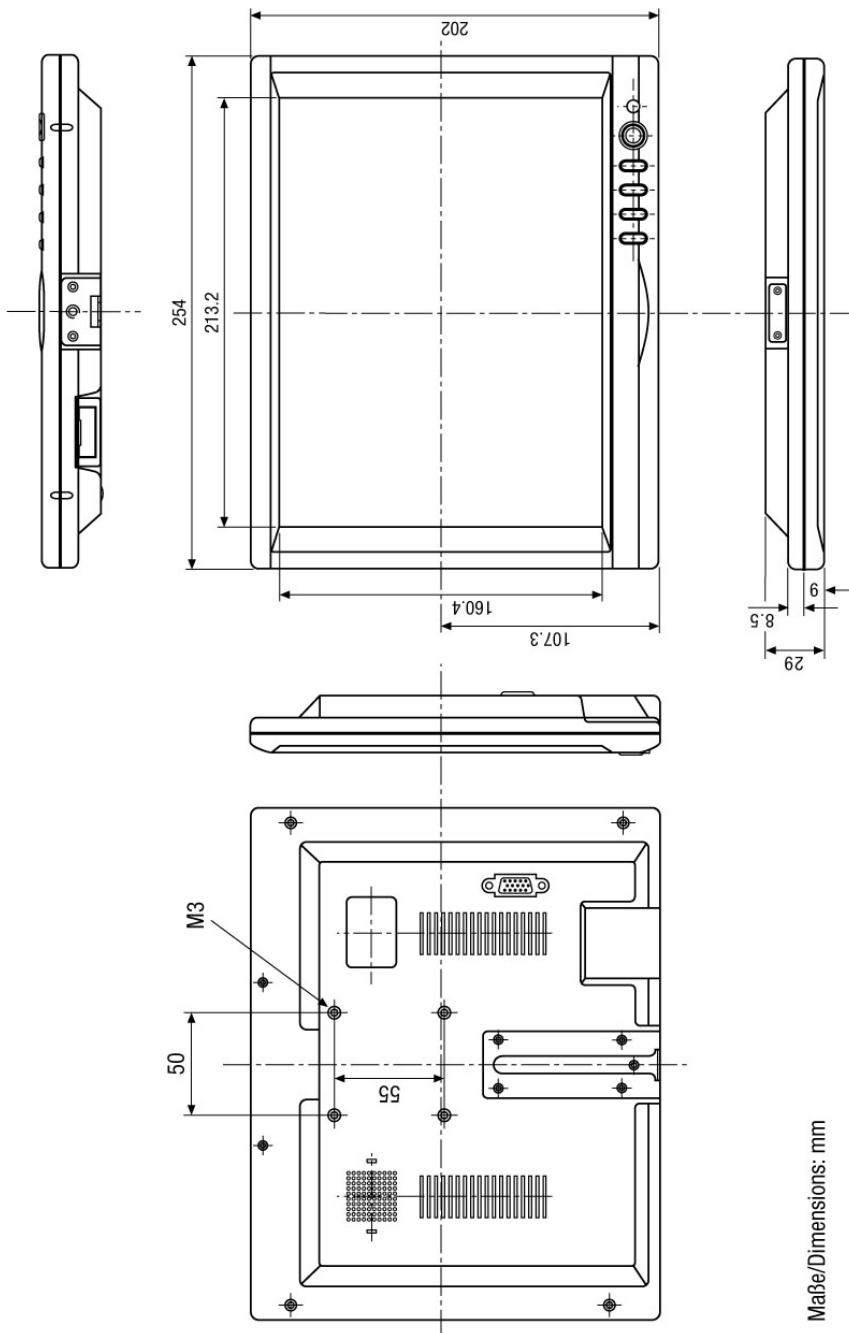
Optional accessories

90394	VMC-LCD/WCMB-1	Wall/Ceiling Bracket for LCD Monitors 15"/17"/19" P/CP/CM/HPC/HMC1 Series
90453	VMC-LCD/8-10MP	Adapter Plate for Wall Bracket Fixing to VMC-8/8.4/10.4LCD-CP Series
90426	VMC-LCD/WMB-1	Wall Bracket for TFT/LCD Monitors, straight

VMC-10.4LCD-CP

Home | Security | Monitors | TFT/LCD

Technical drawing



GENITECH

108, rue Henri Barbusse - 95100 Argenteuil - FR
Phone - 01.49.63.74.41 - Telefax - 01.49.63.74.51
ecorbeau@genitech.fr - www.genitech.fr