

VMC-15LCD-HMC1

Home | Security | Monitors | TFT/LCD

VMC-15LCD-HMC1
15" (38.1cm) LCD/TFT Professional Monitor ,
1024x768, CVBS, Y /C, RGB, Audio, 12VDC

Art-Nr. 90545



Main Features

Professional LCD/TFT monitor
PAL/NTSC auto selection
Multiple language on-screen menu driven setup
Colour edge sharpness at max. resolution
Resolution of 1280x1024 px. (SXGA) / 540TVL
CVBS, S-Video, Audio and RGB input

High contrast and high brightness ratio
Quick signal switching / Fast response time
Integrated loudspeakers
Supply voltage: 12VDC
Robust and compact metal cabinet
Options: Table stand/Mounting bracket/19" rack

Specifications

| | |
|-------------------|--|
| Video standard | PAL/NTSC (automatic selection) |
| Display element | Colour TFT/LCD |
| Screen size | 15" |
| Screen Size (cm) | 38.1 cm |
| Pixel format | 1024 (H) x 768 (V) 0.297x0.297mm |
| Pixel fault class | ISO 13406-2, Class II |
| Scanning method | Digital progressive scan (Frame/Motion mode) |
| Resolution pixels | 1024x768 |
| Resolution | CVBS & Y/C: 540TV lines, VGA: 640x480 (60~75 Hz), SVGA: 800x600 (56~75Hz), XGA: 1024x768 (60~75Hz) |
| Comb Filter [#1] | yes |

VMC-15LCD-HMC1

(Continuation Specifications)

| | |
|--------------------------------------|---|
| Comb Filter | The digital PAL 3D comb filter decoder offsets the preceding and succeeding images in order to achieve a better separation of the interwoven colour and black-and-white signals. Prevents colour streaks and uneven edges of colour |
| Colour scales | 16.2 mio |
| Contrast ratio typical | 700:1 |
| Brightness typical | 250 cd/m ² |
| Viewing angle vertical | 130° |
| Viewing angle horizontal | 160° |
| Light source | 2CCFL |
| Response time typical | 16 ms, tr/ta |
| PC interfaces | VGA, Analog RGB (0.714Vp-p, 75ohms), H & V sync. (TTL), 15-pin D-Sub |
| Video inputs (type) | Y/C, VGA, composite (CVBS) |
| Video inputs | CVBS: 1Vp-p, 75ohms, BNC Y/C: Y= 0.7Vp-p, C= 0.3Vp-p, 75ohms, 4-pin Mini DIN. Loop-through inputs, automatic 75ohms termination |
| Audio inputs | 2 |
| Audio input | Stereo (Cinch) |
| Audio output power | 2x 0.5watts |
| Menu languages | English, German, French, Spanish, Italian, Polish, Czech, Russian |
| Supply voltage | 12VDC (±0.5V) |
| Power consumption | 36W |
| External adjustments | On-screen control, ON/OFF |
| Temperature range (operation) | 0°C ~+40°C |
| Housing material | metal |
| Mount | VESA standard (4 threads M4, 100x100mm) |
| Colour (housing) | anthracite |
| Dimensions (HxWxD) | 286x349x43mm |
| Total height with stand | 345mm |
| Weight | 2.7kg |
| Parts supplied | PSU 100~240V/12VDC with power cord, VGA cable, Multi-language manual |
| Certificates | TÜV-Ergo |

Optional accessories

| | | |
|--------------|-----------------------|---|
| 90505 | UNO | Wall Bracket for LCD Monitors up to 23", Pan and Tilttable |
| 90468 | VMC-LCD/WMB-4 | Wall Bracket for LCD Monitors up to 23", Pan and Tilttable |
| 90394 | VMC-LCD/WCMB-1 | Wall/Ceiling Bracket for LCD Monitors 15"/17"/19"/P/CP/CM/HPC/HMC1 Series |
| 90449 | VMC-LCD/CMB-1 | Ceiling Mount Bracket, Pan and Tilttable for LCD Monitors 19" to 30" |
| 90396 | LCD-15P-RMK | 19" Kit for 15" LCD Monitor (VMC-15LCD-P and VMC-15LCD-HMC1) |

VMC-15LCD-HMC1

90553

LCD-ST/HM

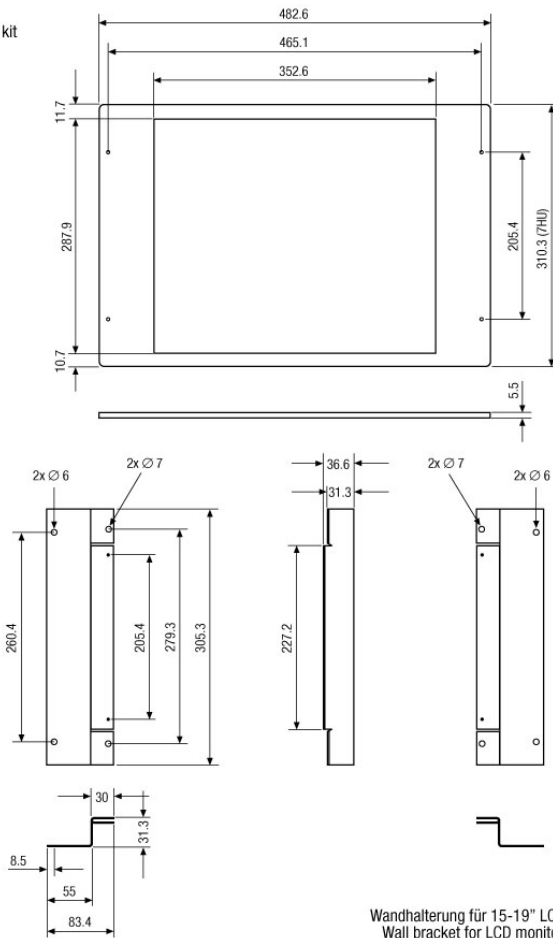
Desktop Mount for LCD Monitor, Series VMC-15/17/19, VESA Standard

VMC-15LCD-HMC1

Home | Security | Monitors | TFT/LCD

Technical drawing

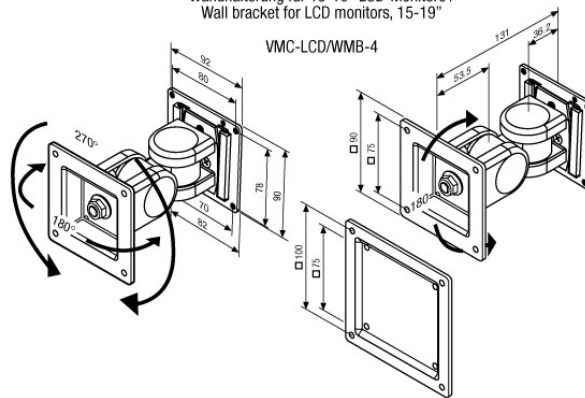
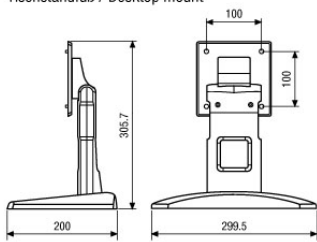
19"-Einbaukit /
19" Rack mount kit



Wandhalterung für 15-19" LCD-Monitore /
Wall bracket for LCD monitors, 15-19"

VMC-LCD/WMB-4

Tischstandfuß / Desktop mount



Maße/Dimensions: mm

GENITECH

108, rue Henri Barbusse · 95100 Argenteuil · FR
Phone - 01.49.63.74.41 · Telefax - 01.49.63.74.51
ecorbeau@genitech.fr · www.genitech.fr