

VMC-19LCD-HMPG1

Home | Security | Monitors | TFT/LCD

VMC-19LCD-HMPG1

19" (48cm) LCD/TFT Professional Monitor,

1280x1024, 12VDC, Protection Glass, HDMI

Art-Nr. 90559



Main Features

Professional PAL/NTSC LCD/TFT monitor
Multi language on-screen menu driven setup
3D comb filter
Resolution of 1280x1024 px. (SXGA) / 700TVL
CVBS, S-Video, HDMI, RGB and audio input
No pixel burn-in (anti burn function)

Quick signal switching / fast response time
Artifacts, noise and motion blur reduction
Compact metal cabinet with LCD protection glass
Integrated loudspeakers
Protection glass and IR remote control included
Table stand/mounting bracket/19" rack as option

Specifications

Video standard	PAL/NTSC
Display element	Colour TFT/LCD
Screen size	19"
Screen Size (cm)	48 cm
Pixel format	1280 (H) x 1024 (V) 0.294x0.294mm
Pixel fault class	ISO 13406-2, Class II
Scanning method	Digital progressive scan (Frame/Motion mode)
Resolution pixels	1280x1024
Resolution	CVBS and Y/C: 700TV lines; VGA: 640x480 (60 ~75Hz); SVGA: 800x600 (56 ~75Hz); XGA: 1024x768 (60 ~75Hz); SXGA: 1280x1024 (60 ~75Hz)
Comb Filter [#1]	yes

VMC-19LCD-HMPG1

(Continuation Specifications)

Comb Filter	The digital PAL 3D comb filter decoder offsets the preceding and succeeding images in order to achieve a better separation of the interwoven colour and black-and-white signals. Prevents colour streaks and uneven edges of colour
Colour scales	16.7Mio (8 Bit)
Contrast ratio typical	1000:1
Brightness typical	250 cd/m ²
Viewing angle vertical	160°
Viewing angle horizontal	160°
Light source	2CCFL
Response time typical	5 ms
PC interfaces	VGA, Analog RGB (0.714Vp-p, 75ohms), H & V sync. (TTL), 15-pin D-Sub
Video inputs (type)	Y/C, VGA, HDMI, composite (CVBS)
Video inputs	2x 1Vp-p, CVBS, automatic 75 ohms termination (loop-through), Y/C input, 4 pin Mini DIN, 75 ohms
Audio inputs	2
Audio input	Stereo (Cinch)
Audio output power	2x 0.5watts
Menu languages	English, German, French, Spanish, Italian, Polish, Czech, Russian
Supply voltage	12VDC (±0.5V)
Power consumption	28W
External adjustments	On-screen control, ON/OFF
Remote control	included
Temperature range (operation)	0°C ~+40°C
Housing material	metal
Mount	VESA standard (4 threads M4, 100x100mm)
Colour (housing)	anthracite
Dimensions (HxWxD)	362x419x54mm
Total height with stand	429mm
Weight	5.1kg
Parts supplied	PSU 100~240V/12VDC with power cord, VGA cable, IR remote control unit, Multiple language manual
Certificates	CE

Optional accessories

90505	UNO	Wall Bracket for LCD Monitors up to 23", Pan and Tilttable
90468	VMC-LCD/WMB-4	Wall Bracket for LCD Monitors up to 23", Pan and Tilttable
90475	LCD-19P-RMK	19" Kit for 19" LCD Monitor (VMC-19LCD-P and VMC-19LCD-HMC1)
90394	VMC-LCD/WCMB-1	Wall/Ceiling Bracket for LCD Monitors 15"/17"/19" P/CP/CM/HPC/HMC1 Series

VMC-19LCD-HMPG1

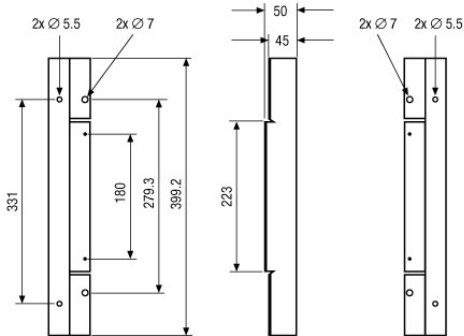
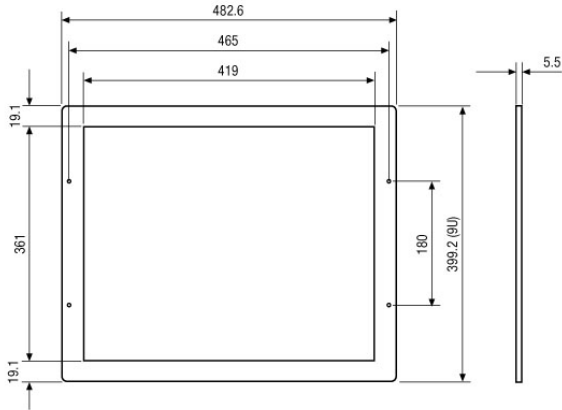
90449	VMC-LCD/CMB-1	Ceiling Mount Bracket, Pan and Tilttable for LCD Monitors 19"to 30"
90553	LCD-ST/HM	Desktop Mount for LCD Monitor, Series VMC-15/17/19, VESA Standard

VMC-19LCD-HMPG1

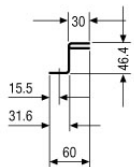
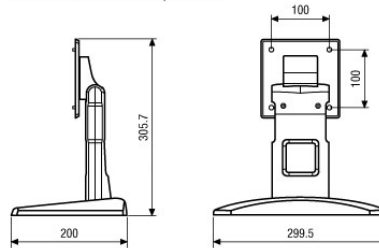
Home | Security | Monitors | TFT/LCD

Technical drawing

19"-Einbaukit /
19" Rack mount kit

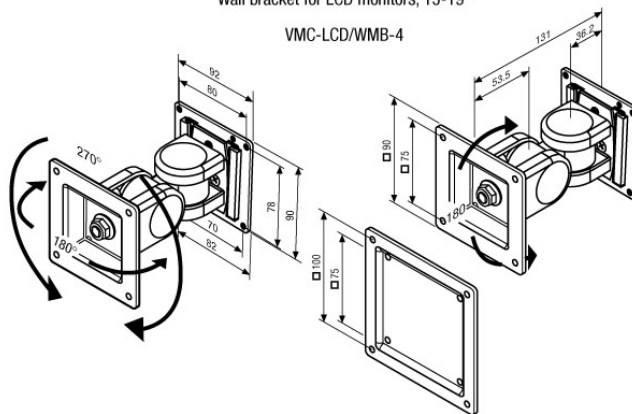


Tischstandfuß / Desktop mount



Wandhalterung für 15-19" LCD-Monitore /
Wall bracket for LCD monitors, 15-19"

VMC-LCD/WMB-4



Maße/Dimensions: mm

GENITECH

108, rue Henri Barbusse · 95100 Argenteuil · FR
Phone - 01.49.63.74.41 · Telefax - 01.49.63.74.51
ecorbeau@genitech.fr · www.genitech.fr