

# VMC-17LCD-HPPG1

Home | Security | Monitors | TFT/LCD

VMC-17LCD-HPPG1  
17" (43cm) LCD/TFT Monitor, 1280x1024, 12VDC,

Protection Glass, HDMI

**Art-Nr. 90561**



## Main Features

Professional PAL/NTSC LCD/TFT monitor  
Multi language on-screen menu driven setup  
3D comb filter  
Resolution of 1280x1024 px. (SXGA) / 700TVL  
CVBS, S-Video, HDMI, RGB and audio input  
No pixel burn-in (anti burn function)

Quick signal switching / fast response time  
Artifacts, noise and motion blur reduction  
Compact plastic cabinet with LCD protection glass  
Integrated loudspeakers  
IR remote control included  
Mounting brackets as option

## Specifications

Video standard	PAL/NTSC
Display element	Colour TFT/LCD
Screen size	17"
Screen Size (cm)	43 cm
Pixel format	1280 (H) x 1024 (V), RGB vertical stripes 0.264x0.264mm
Pixel fault class	ISO 13406-2, Class II
Scanning method	Digital progressive scan (Frame/Motion mode)
Resolution pixels	1280x1024
Resolution	CVBS and Y/C: 700TV lines; VGA: 640x480 (60 ~75Hz); SVGA: 800x600 (56 ~75Hz); XGA: 1024x768 (60 ~75Hz); SXGA: 1280x1024 (60 ~75Hz)
Comb Filter [#1]	yes

# VMC-17LCD-HPPG1

(Continuation Specifications)

<b>Comb Filter</b>	The digital PAL 3D comb filter decoder offsets the preceding and succeeding images in order to achieve a better separation of the interwoven colour and black-and-white signals. Prevents colour streaks and uneven edges of colour
<b>Colour scales</b>	16.7Mio (8 Bit)
<b>Contrast ratio typical</b>	1000:1
<b>Brightness typical</b>	250 cd/m <sup>2</sup>
<b>Viewing angle vertical</b>	160°
<b>Viewing angle horizontal</b>	160°
<b>Light source</b>	2CCFL
<b>Response time typical</b>	5 ms
<b>PC interfaces</b>	VGA, Analog RGB (0.714Vp-p, 75ohms), H & V sync. (TTL), 15-pin D-Sub
<b>Video inputs (type)</b>	Y/C, VGA, HDMI, composite (CVBS)
<b>Video inputs</b>	2x 1Vp-p, CVBS, automatic 75 ohms termination (loop-through), Y/C input, 4 pin Mini DIN, 75 ohms
<b>Audio inputs</b>	2
<b>Audio input</b>	Stereo (Cinch)
<b>Audio output power</b>	2x 0.5watts
<b>Menu languages</b>	English, German, French, Spanish, Italian, Polish, Czech, Russian
<b>Supply voltage</b>	12VDC (±0.5V)
<b>Power consumption</b>	28W
<b>External adjustments</b>	On-screen control, ON/OFF
<b>Remote control</b>	included
<b>Temperature range (operation)</b>	0°C ~+40°C
<b>Housing material</b>	plastic
<b>Mount</b>	VESA standard (4 threads M4, 100x100mm)
<b>Colour (housing)</b>	anthracite
<b>Dimensions (HxWxD)</b>	332x382.5x200mm
<b>Total height with stand</b>	416mm
<b>Weight</b>	6.6kg
<b>Parts supplied</b>	PSU 100~240V/12VDC with power cord, VGA cable, IR remote control unit, Multiple language manual
<b>Certificates</b>	CE

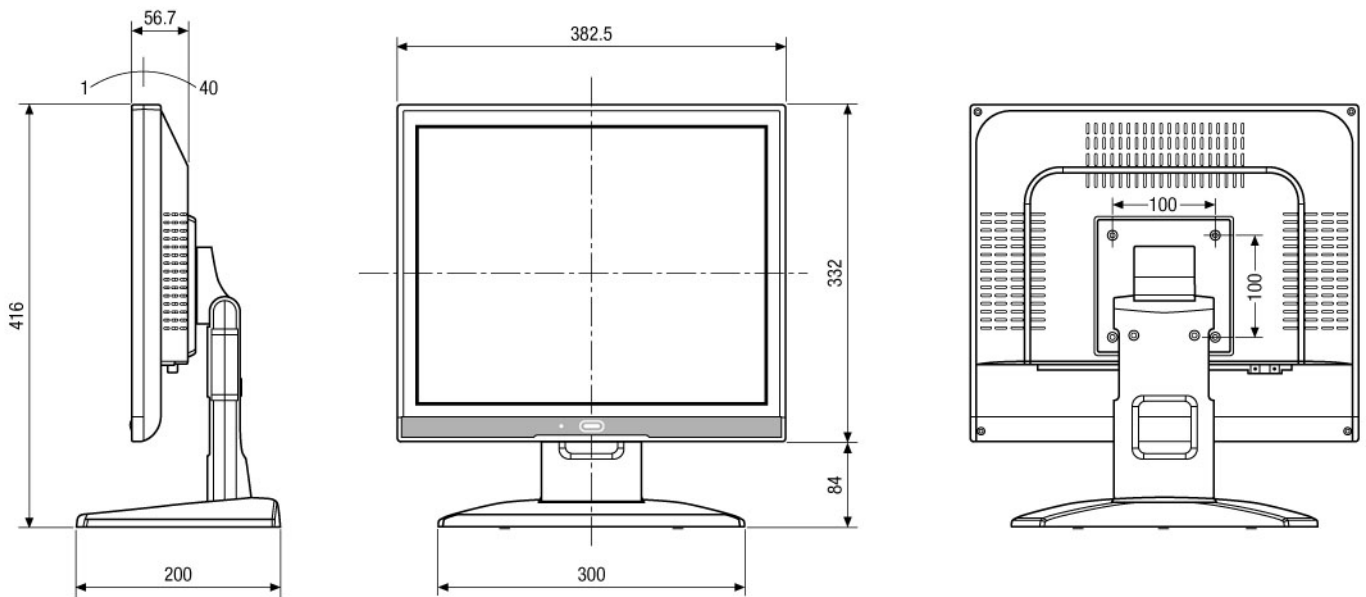
## Optional accessories

<b>90505</b>	<b>UNO</b>	Wall Bracket for LCD Monitors up to 23", Pan and Tilttable
<b>90468</b>	<b>VMC-LCD/WMB-4</b>	Wall Bracket for LCD Monitors up to 23", Pan and Tilttable
<b>90394</b>	<b>VMC-LCD/WCMB-1</b>	Wall/Ceiling Bracket for LCD Monitors 15"/17"/19" P/CP/CM/HPC/HMC1 Series
<b>90449</b>	<b>VMC-LCD/CMB-1</b>	Ceiling Mount Bracket, Pan and Tilttable for LCD Monitors 19" to 30"

# VMC-17LCD-HPPG1

Home | Security | Monitors | TFT/LCD

## Technical drawing



Maße/Dimensions: mm

GENITECH

108, rue Henri Barbusse - 95100 Argenteuil - FR  
Phone - 01.49.63.74.41 - Telefax - 01.49.63.74.51  
ecorbeau@genitech.fr - www.genitech.fr

**GENITECH**