

VKCD-1313SM/MF

Home | Security | Domes | Fixed

VKCD-1313SM/MF
1/3" Dome, Fixed, Colour, tinted, 3.8mm, 550TVL,

12VDC

Art-Nr. 92054



Main Features

For wall and ceiling surface mounting	Digital signal processing (DSP)
Vandal and tamper-resistant	Backlight compensation (BLC)
Tinted Lexan bubble, 100mm	Automatic white balance (ATW)
1/3" colour board camera with Super HAD CCD	Manual 3-axis camera adjustment
Integrated lens F2.0/3.8mm	For easy indoor and outdoor installation (IP65)
Resolution of 550 horizontal lines	

Specifications

System	colour
Video standard	PAL
Sensor size	1/3"
Imager	CCD, Sony Super HAD Interline Transfer
Active picture elements	440,000, 752(H) x 582(V)
Horizontal resolution	550 TVL
Synchronization	internal
Signal-to-noise ratio	48dB
Gamma correction	approx. 0.45
Sensitivity (at 50% video signal)	0,35 Lux, at F1.2 (measured)
Automatic gain control (AGC)	ON/OFF switchable
Low speed shutter	no
Digital Noise Reduction (DNR)	no

VKCD-1313SM/MF

(Continuation Specifications)

Backlight compensation	BLC, ON/OFF switchable
Wide Dynamic Range (WDR)	no
Aperture Correction (APC)	horizontal and vertical
Flickerless function	ON/OFF switchable
IR cut filter	standard
Activity detection	no
Digital zoom	no
Lens type	fixed focal length
Focal length	3,8 mm
Horizontal angle of view	74,2°
MOD (Minimum object distance)	0,1 m
Video outputs	composite (CVBS), 1Vp-p, CVBS, 75ohms
Alarm inputs	-
Alarm outputs	-
e-PTZ support	no
Rotation range	359°
Illumination	no
Serial interfaces	no
Housing	outdoor, Die-cast aluminium with tinted polycarbonate bubble
Housing material	aluminium
Bubble	100mm diameter, Vandal resistant 3mm -tinted- polycarbonate with high resistance
Colour (bubble)	tinted
Colour (housing)	Pantone Cool Gray 1C
Heater	no
Mounting	ceiling mount, wall mount
Supply voltage	12VDC, (9 ~15VDC), 12VDC \pm 0,5V recommended
Power consumption	3.0W max.
Temperature range (operation)	-10°C ~+50°C
Protection rating	IP65
Vandalism resistant	yes
Dimensions (HxWxD)	see drawing
Weight	840g
Certificates	CE

Optional accessories

70535	VT-PS12DC-8	Plug-in Power Supply Unit 100-240VAC 12VDC (1.0Amp), Regulated, with DC Plug
74151	VDOME/WB2	Wall Mount Kit for Vandalism Resistant Dome Cameras SM/VF Series

VKCD-1313SM/MF

88189

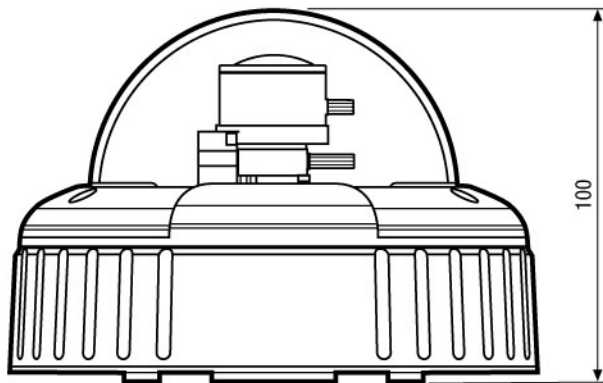
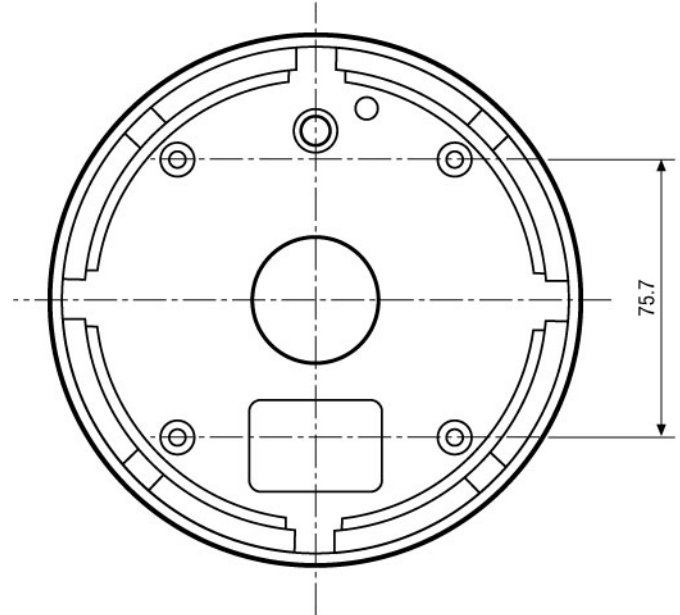
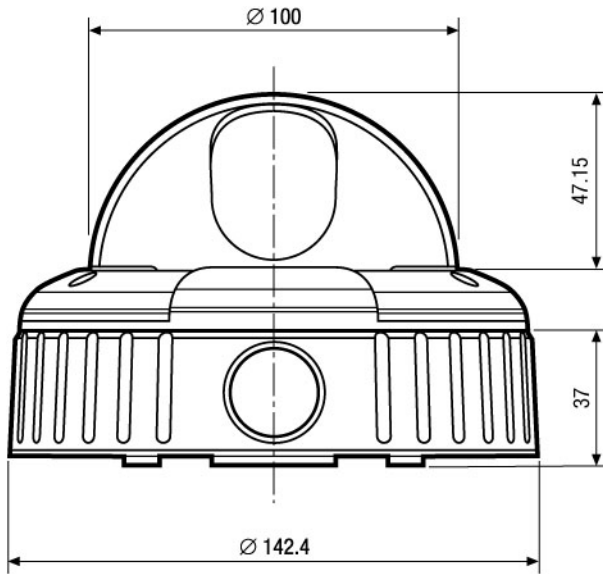
1/2" - M25X1.5

Thread Adapter 1/2" - Conduit Connection M25x1.5mm for VKCD-131x
Housings

VKCD-1313SM/MF

Home | Security | Domes | Fixed

Technical drawing



Maße/Dimensions: mm

GENITECH

108, rue Henri Barbusse - 95100 Argenteuil - FR
Phone - 01.49.63.74.41 - Telefax - 01.49.63.74.51
ecorbeau@genitech.fr - www.genitech.fr

GENITECH