

# VKC-1341A

Home | Security | Cameras | Boxed

VKC-1341A  
1/3" Day&Night Camera, 540TVL, 100-240VAC,

Art-Nr. 92079



Lens not included

## Main Features

1/3" Super HAD colour CCD sensor  
Horizontal resolution of 540 TV lines  
Sensitivity of 0.23Lux at F1.2  
Digital noise reduction (DNR)  
Selectable gain control (AGC)  
Selectable backlight compensation zones (BLC)

High and low speed shutter control (MES/ESC/DSS)  
On-screen menu control / Camera title display  
Privacy masking/Mirror function/Motion detection  
Picture sharpness and flickerless adjustment  
Auto iris and DC iris control  
CS mount / Supply voltage: 100 to 240VAC

## Specifications

System	day&night
Video standard	CCIR/PAL
Sensor size	1/3"
Imager	CCD, Sony Super HAD Interline Transfer
Active picture elements	470,000, 795(H) x 596(V)
Horizontal resolution	540 TVL
Synchronization	Line lock or internal
Signal-to-noise ratio	50dB (AGC OFF)
Gamma correction	0.45
Sensitivity (at 50% video signal)	0,23 Lux, (colour and B&W) at F1.2 (measured)
Automatic electronic shutter (ESC)	1/50 ~ 1/120,000sec.
Manual electronic shutter (MES)	1/50 ~ 1/120,000sec.
Low speed shutter	yes, OFF, Automatic: 2 ~ 128 fps.

# VKC-1341A

(Continuation Specifications)

<b>Digital Noise Reduction (DNR)</b>	yes
<b>Backlight compensation</b>	BLC, OFF/Low/Mid/High selectable
<b>Wide Dynamic Range (WDR)</b>	no
<b>White balance</b>	automatic (AWB/ATW): 1800K ~10500K Manual: R-gain, B-gain, adjustable and lockable
<b>Aperture Correction (APC)</b>	horizontal and vertical
<b>Flickerless function</b>	1/120sec. On/Off switchable
<b>IR cut filter</b>	OLPF (Overlay Low Pass Filter)
<b>Day/Night switching</b>	via menu
<b>Privacy zones masking</b>	ON/OFF switchable
<b>OSD function control</b>	Colour/B&W, AGC, DNR, Mirror (hor.), BLC, White balance, AI/DC Iris, Sharpness, ESC/MES, Shutter speed, Flickerless, Privacy zones ON/OFF, Camera ID, Default/Preset
<b>Text display</b>	camera title On/Off switchable
<b>Activity detection</b>	yes
<b>Motion detector</b>	4 zones, ON/OFF switchable
<b>Digital zoom</b>	no
<b>e-PTZ support</b>	no
<b>Lens mount</b>	CS mount
<b>Iris control</b>	Manual iris, Auto-Iris/DC controlled
<b>Auto exposure</b>	Automatic/Manual Shutter/AGC/Flickerless
<b>Illumination</b>	no
<b>External adjustments</b>	Menu, Cursor Up/Down/Left/Right, Flange focus
<b>Video outputs</b>	composite (CVBS), 1Vp-p, 75ohms, BNC
<b>External connections</b>	Video (BNC), Auto Iris/DC Iris, Power input (2 pin)
<b>Serial interfaces</b>	no
<b>Camera mount</b>	1/4" - 20 UNC thread on top and bottom
<b>Alarm inputs</b>	no
<b>Alarm outputs</b>	no
<b>Supply voltage</b>	230VAC, (100 ~240VAC) 50/60Hz
<b>Power consumption</b>	4.5W
<b>Housing</b>	indoor
<b>Colour</b>	Pantone 877C, Side wings: Pantone Cool Gray 11C
<b>Hidden cable management</b>	no
<b>Vandalism resistant</b>	no
<b>Protection rating</b>	n/a
<b>Temperature range (operation)</b>	-10°C ~+50°C
<b>Dimensions (HxWxD)</b>	see drawing
<b>Weight</b>	approx. 310g
<b>Parts supplied</b>	Camera, C/CS Mount ring, 4-pin lens plug, Manual

# VKC-1341A

(Continuation Specifications)

**Certificates**

CE

## Optional accessories

70771

WD-23

Wall Mount Bracket with Ball Joint, 1/4" Camera Fixing Screw, Pantone 877

43274

F03Z2.6DC-NFSHR

F1.0/3-8mm DC Lens, Varifocal, No Focus Shift, High Resolution, 1/3" CS Mount

79488

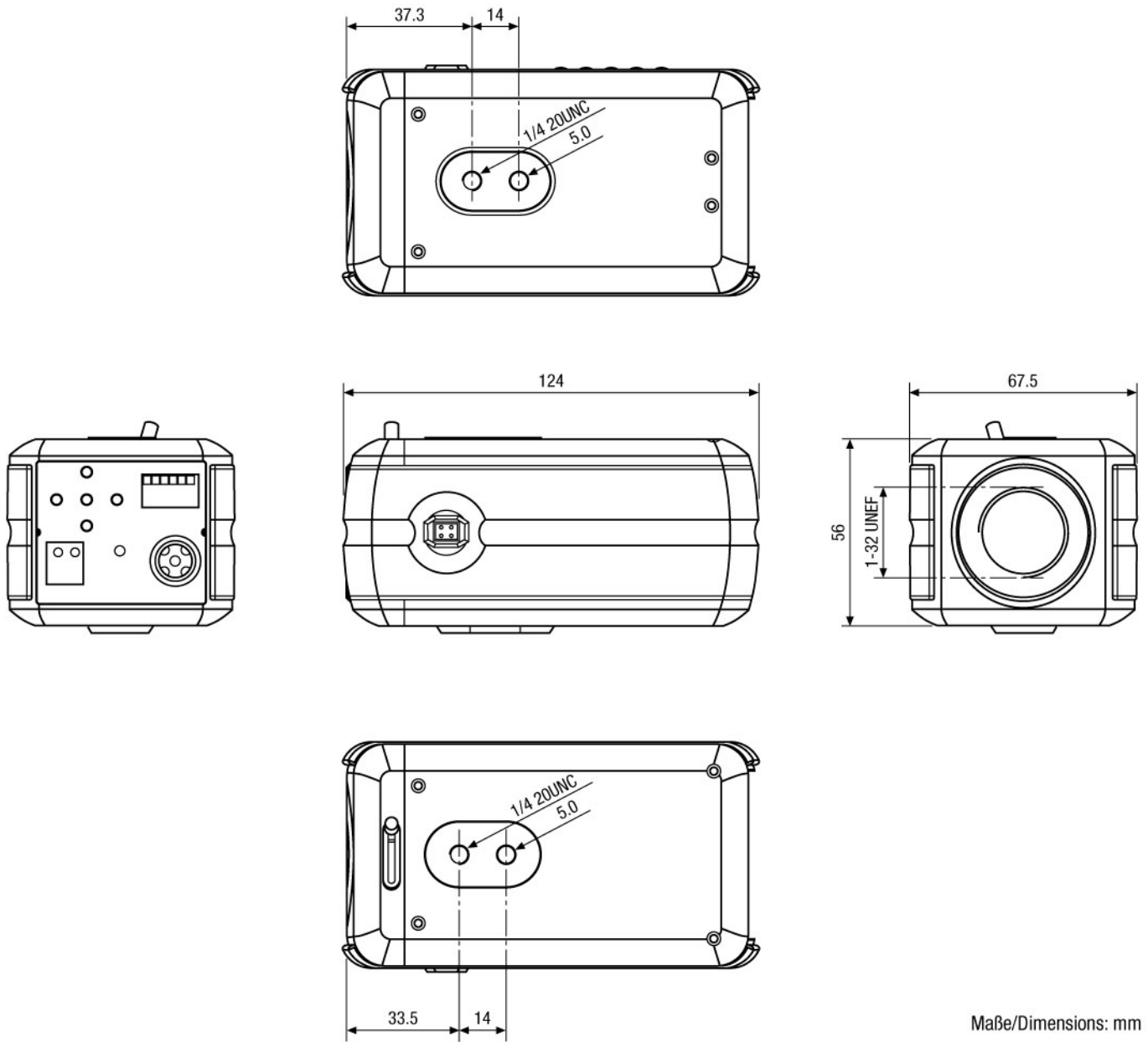
VTL-WWA

Weatherproof Housing (300mm) with Heater Thermostat, Wallbracket, RAL9002, 230VAC

# VKC-1341A

Home | Security | Cameras | Boxed

## Technical drawing



GENITECH

108, rue Henri Barbusse - 95100 Argenteuil - FR  
Phone - 01.49.63.74.41 - Telefax - 01.49.63.74.51  
ecorbeau@genitech.fr - www.genitech.fr

**GENITECH**