

# VKCD-1328WSM/MF

Home | Security | Domes | Fixed

VKCD-1328WSM/MF  
1/3" Mini Dome, Fixed, Day&Night, clear, 3.7mm,

540TVL, 12VDC, White

**Art-Nr. 92541**



## Main Features

For wall and surface mounting	Backlight compensation (BLC)
Vandal resistant	Automatic white balance (ATW)
Removable IR cut filter (ICR)	Manual 3-axis camera adjustment
Integrated lens F2.0/3.7mm	White aluminium die-cast casing
Resolution of 540 horizontal lines	Clear Lexan bubble, 57mm
High speed shutter control (ESC)	For easy indoor and outdoor installation (IP66)

## Specifications

System	day&night
Video standard	PAL
Sensor size	1/3"
Imager	CCD, Sony Super HAD II Interline Transfer
Active picture elements	440,000, 752(H) x 582(V)
Horizontal resolution	540 TVL
Synchronization	internal
Signal-to-noise ratio	50dB (AGC OFF)
Sensitivity (at 50% video signal)	0,16 Lux, (colour), 0.1Lux (B&W) at F1.2 (measured)
Automatic gain control (AGC)	supplied
Automatic electronic shutter (ESC)	1/50 ~ 1/100,000sec.
Low speed shutter	no
Digital Noise Reduction (DNR)	no

# VKCD-1328WSM/MF

(Continuation Specifications)

Backlight compensation	BLC, center weighted
Wide Dynamic Range (WDR)	no
Aperture Correction (APC)	horizontal and vertical
IR cut filter	switchable
Activity detection	no
Digital zoom	no
Lens type	fixed focal length
Focal length	3,7 mm
Horizontal angle of view	67°
MOD (Minimum object distance)	0,1 m
Video outputs	composite (CVBS), 1Vp-p, (C)VBS, 75ohms, BNC
Alarm inputs	no
Alarm outputs	no
e-PTZ support	no
Rotation range	359°
Illumination	no, not implemented
Serial interfaces	no
Housing	outdoor
Housing material	aluminium
Colour (bubble)	clear
Colour (housing)	white
Heater	no
Mounting	ceiling mount, wall mount
Supply voltage	12VDC, 12VDC (10 ~15VDC), 12VDC ±0.5V recommended
Power consumption	3.0W
Temperature range (operation)	-10°C ~+50°C
Protection rating	IP66
Vandalism resistant	yes
Dimensions (HxWxD)	see drawing
Weight	260g
Parts supplied	Camera, Manual
Certificates	CE

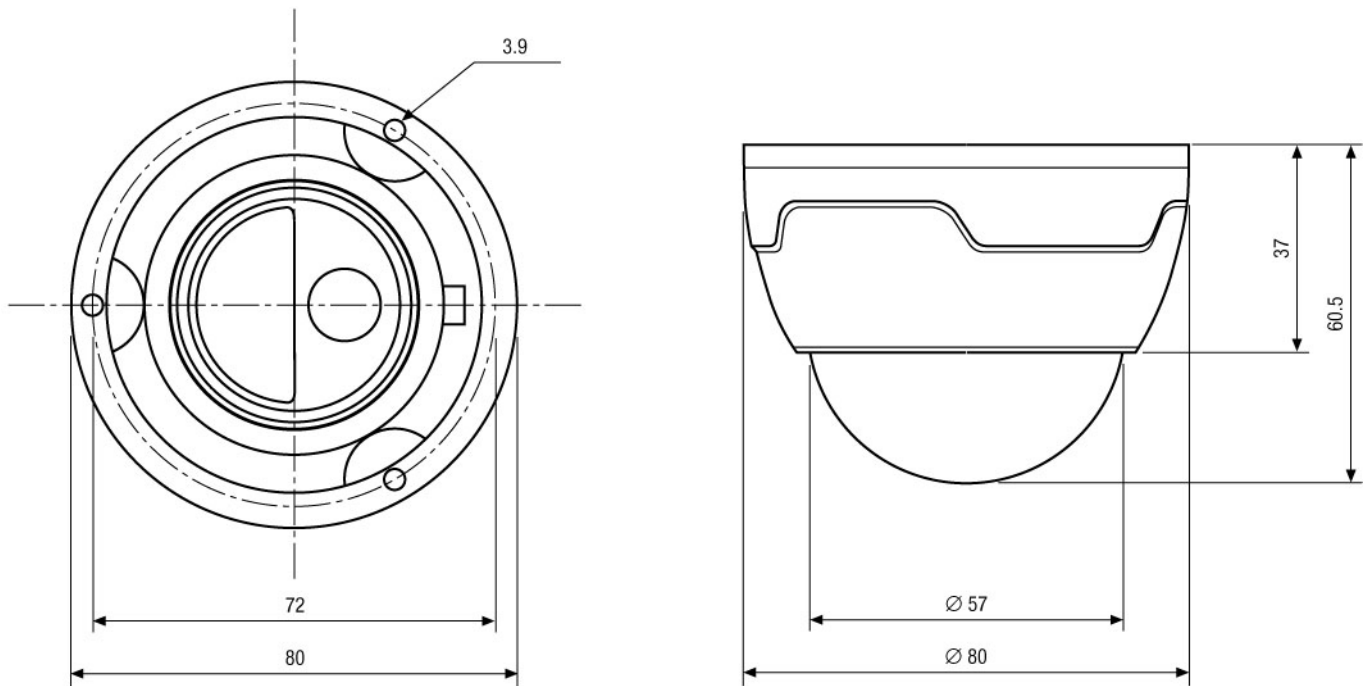
## Optional accessories

70535	VT-PS12DC-8	Plug-in Power Supply Unit 100-240VAC 12VDC (1.0Amp), Regulated, with DC Plug
-------	-------------	--

# VKCD-1328WSM/MF

Home | Security | Domes | Fixed

## Technical drawing



Maße/Dimensions: mm

GENITECH

108, rue Henri Barbusse - 95100 Argenteuil - FR  
Phone - 01.49.63.74.41 - Telefax - 01.49.63.74.51  
ecorbeau@genitech.fr - www.genitech.fr

**GENITECH**