

VKC-1358A/IR

Home | Security | Cameras | Plug & Play

VKC-1358A/IR
1/3" Camera, Day&Night, F1.2/3.8-9.5mm, 550TVL,
IR Illumination, 12VDC/24VAC

Art-Nr. 92552



Main Features

1/3" Sony Super HAD II CCD	Externally adjustable focus & zoom by rings
Sensitivity of 0.44 Lux at F1.2 (colour)	IR Illumination by 42 integral 850nm LEDs
Automatic gain control (AGC)	Illumination range: approx. 45m
Automatic white balance (AWB/ATW)	Supply voltage: 12VDC or 24VAC
Integral varifocal lens F1.2/3.8-9.5mm	Fully hidden cable routing/Protection rating: IP66
DC iris control / Removable IR cut filter	For wall and ceiling mount

Specifications

System	day&night
Video standard	CCIR/PAL
Sensor size	1/3"
Imager	CCD, Sony Super HAD II Interline Transfer
Active picture elements	440,000, 752(H) x 582(V)
Synchronization	Internal/AC line lock
Signal-to-noise ratio	48dB
Gamma correction	0.45
Horizontal resolution	550 TVL, (colour), 580 TVL (B&W)
Sensitivity (at 50% video signal)	0,44 Lux, (colour), 0.11Lux (B&W) at F1.2 (measured)
Automatic electronic shutter (ESC)	no
Low speed shutter	no
Automatic gain control (AGC)	supplied

VKC-1358A/IR

(Continuation Specifications)

Digital Noise Reduction (DNR)	no
Flickerless function	yes
White balance	AWB/ATW selectable
Backlight compensation	no
Wide Dynamic Range (WDR)	no
Aperture Correction (APC)	horizontal and vertical
IR cut filter	switchable
Video outputs	composite (CVBS)
Lens type	varifocal
Lens	F1.2/F2.0 ~360/3.8 ~9.5mm with galvanometer controlled iris
Focal length	3,8 mm - 9,5 mm
e-PTZ support	no
Digital zoom	no
Horizontal angle of view	74,2° - 30°
Iris control	DC
MOD (Minimum object distance)	0,15 m
Illumination	infrared, 42 LEDs 850nm. Integrated light sensor for On/Off switching of the illumination
Illumination range	approx. 45m (at a good light reflexion and 40% Videosignal)
Activity detection	no
Serial interfaces	no
External connections	Video (BNC), 2 pin power input
Cable connection	Wiring for video and voltage supply made, accessible from outside (1.8m)
Kind of mounting	Integrated wall mount with ball joint
Temperature range (operation)	-10°C ~+50°C
Housing material	aluminium
Housing	outdoor
Integrated wall mount	yes
Hidden cable management	yes
Sunshield	yes
Window heater	no
Colour (housing)	silver grey
Vandalism resistant	no
Protection rating	IP66
Alarm inputs	no
Alarm outputs	no
Supply voltage	12VDC, 24VAC, (+/-10%)
Power consumption	approx. 10W
Dimensions (HxWxD)	see drawing

VKC-1358A/IR

(Continuation Specifications)

Weight	1.0kg
Parts supplied	3mm Allen key, Bag of fixing screws
Certificates	CE

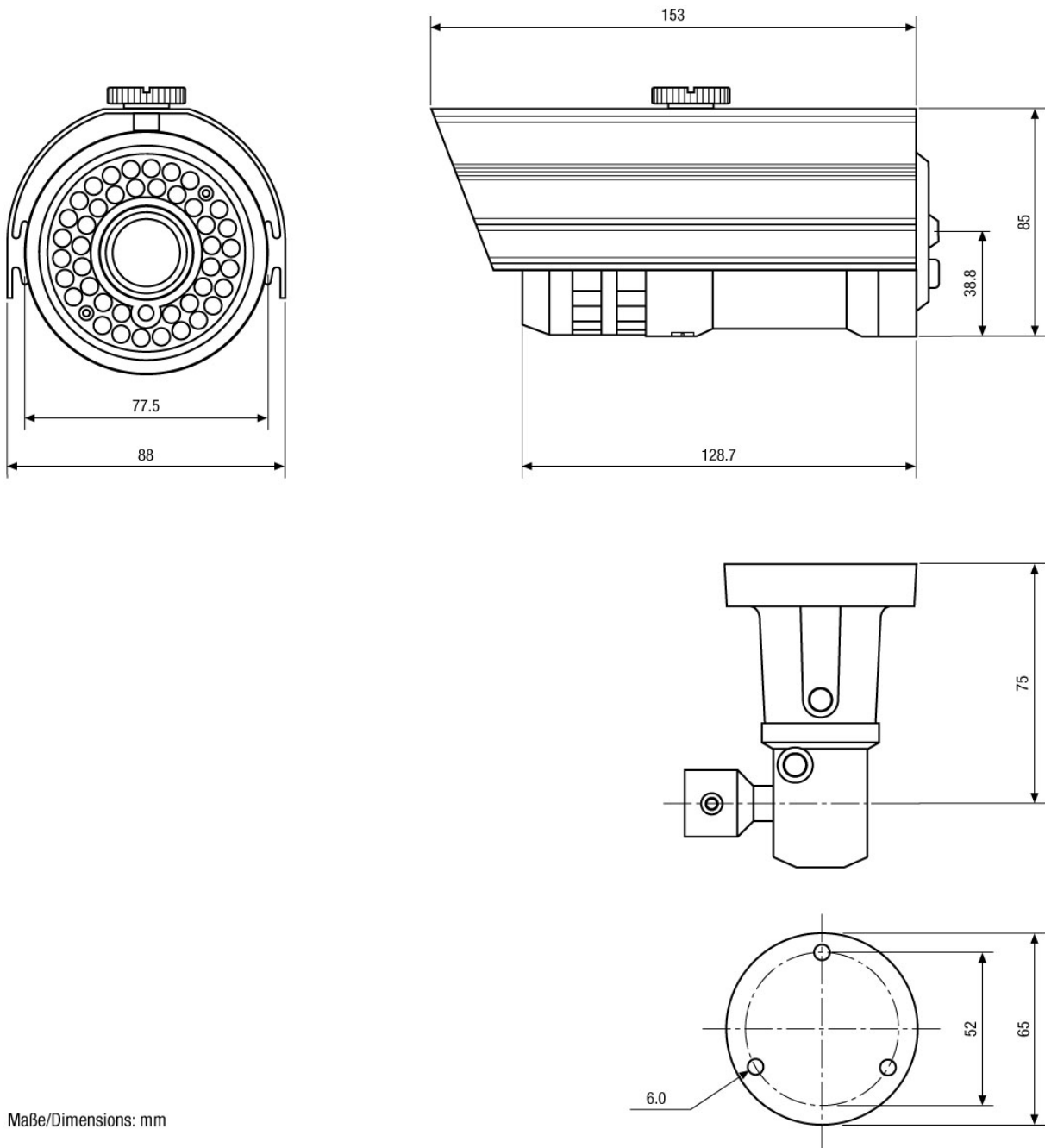
Optional accessories

70536	VT-PS12DC-9	Plug-in Power Supply Unit 100-240VAC 12VDC (1.0Amp), Regulated, w. open Ends
-------	-------------	--

VKC-1358A/IR

Home | Security | Cameras | Plug & Play

Technical drawing



Maße/Dimensions: mm

GENITECH

108, rue Henri Barbusse - 95100 Argenteuil - FR
Phone - 01.49.63.74.41 - Telefax - 01.49.63.74.51
ecorbeau@genitech.fr - www.genitech.fr