

# VKCD-1331-C

Home | Security | Domes | Fixed

VKCD-1331-C

1/3" Dome, Fixed, Day&Night, WDR, DNR, clear,

2.8-10.5mm, 600TVL, 12/24

**Art-Nr. 92561**



## Main Features

1/3" Sony progressive scan high resolution sensor  
Removable IR cut filter (ICR)  
Sensitivity of 0.22Lux at F1.2 (colour)  
Digital image stabilisation (DIS)  
Wide dynamic range (WDR) up to x160 (44dB)  
Automatic Gain Control (AGC)

High and low speed shutter control (MES/DSS)  
Digital noise reduction (2D&3D DNR)  
Manual 3-axis camera gimbal  
Multi-lingual on-screen menu control  
Supply voltage: 12VDC or 24VAC  
For wall and ceiling flush and surface mount

## Specifications

System	day&night
Video standard	CCIR/PAL
Sensor size	1/3"
Imager	CCD, Sony Super HAD Progressive Scan Interline Transfer
Horizontal resolution	600 TVL, (colour), 650 TVL (B&W)
Synchronization	internal
Signal-to-noise ratio	52db (AGC OFF)
Sensitivity (at 50% video signal)	0,22 Lux, (colour), 0.13Lux (B&W) at F1.2 (measured)
Manual electronic shutter (MES)	1/120 ~1/10.000sec.
Low speed shutter	yes, automatic, 2 ~256 Fps.
Digital Noise Reduction (DNR)	yes, 2D & 3D
Backlight compensation	BLC, adjustable zones, ON/OFF switchable
Wide Dynamic Range (WDR)	yes, 44dB

# VKCD-1331-C

(Continuation Specifications)

<b>White balance</b>	ATW / AWB, Indoor / Outdoor
<b>Aperture Correction (APC)</b>	horizontal and vertical
<b>Flickerless function</b>	ON/OFF switchable
<b>IR cut filter</b>	switchable
<b>Menu languages</b>	English, German, French, Italian, Spanish
<b>OSD function control</b>	Brightness, Sharpness, Backlight Compensation, Electronic shutter (DSS), Manual high speed shutter (1/120 to 1/10,000), Automatic white balance, Manual white balance (Red/Blue), AGC, DNR, Motion Detection, Flickerless mode, Privacy window, Mirror, Day/Night
<b>Text display</b>	54 character label
<b>Activity detection</b>	yes
<b>Motion detector</b>	4 zones, ON/OFF switchable
<b>Digital zoom</b>	1x ~10x
<b>Analysis Functions</b>	no
<b>Lens type</b>	varifocal
<b>Focal length</b>	2,8 mm - 10,5 mm
<b>Horizontal angle of view</b>	81,2° - 25,8°
<b>MOD (Minimum object distance)</b>	0,2 m
<b>Aperture range (F)</b>	F1.2~F260
<b>Video outputs</b>	composite (CVBS), 1Vp-p, (C)VBS, 75ohms, BNC
<b>Alarm inputs</b>	no
<b>Alarm outputs</b>	no
<b>e-PTZ support</b>	no
<b>Rotation range</b>	359°
<b>Tilt range</b>	55° (+35° ~+90° from horizontal level)
<b>Illumination</b>	no
<b>External connections</b>	Video (BNC), 2 pin power input
<b>Serial interfaces</b>	no
<b>Housing</b>	outdoor
<b>Housing material</b>	aluminium
<b>Colour (bubble)</b>	clear
<b>Colour (housing)</b>	Pantone Warm Gray 1C
<b>Heater</b>	optional
<b>Mounting</b>	ceiling mount, flush mount, wall mount
<b>Supply voltage</b>	12VDC, 24VAC, (+/-10%)
<b>Power consumption</b>	2W
<b>Temperature range (operation)</b>	-10°C ~+50°C
<b>Protection rating</b>	IP66
<b>Vandalism resistant</b>	yes
<b>Weight</b>	1.1kg

# VKCD-1331-C

(Continuation Specifications)

<b>Parts supplied</b>	Screw set, Pipe cap driver, Torx wrench, Mounting template, Service monitor board and control cable, Manual
-----------------------	---

<b>Certificates</b>	CE
---------------------	----

## Optional accessories

<b>70535</b>	<b>VT-PS12DC-8</b>	Plug-in Power Supply Unit 100-240VAC 12VDC (1.0Amp), Regulated, with DC Plug
--------------	--------------------	--

<b>92562</b>	<b>VDOME/WB4</b>	Wall Mount Kit for VKCD-1329/IR and VKCD-1331
--------------	------------------	---

<b>92563</b>	<b>VDOME/WEDGE1</b>	Wedge Mount Kit for VKCD-1329/IR and VKCD-1331
--------------	---------------------	--

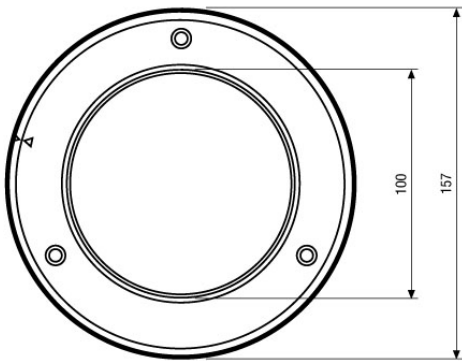
<b>92565</b>	<b>VDOME/HB-K1</b>	Heater & Blower Kit 24VAC for VKCD-1329/IR and VKCD-1331
--------------	--------------------	--

# VKCD-1331-C

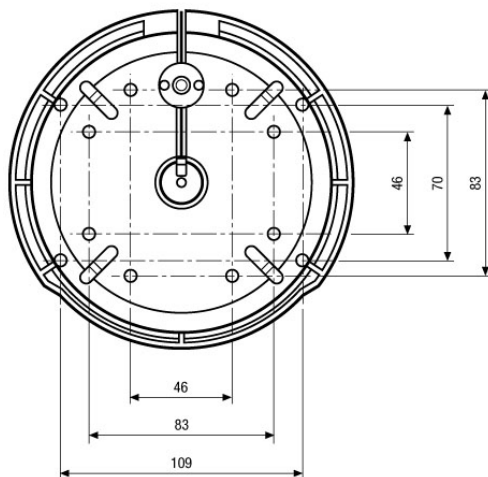
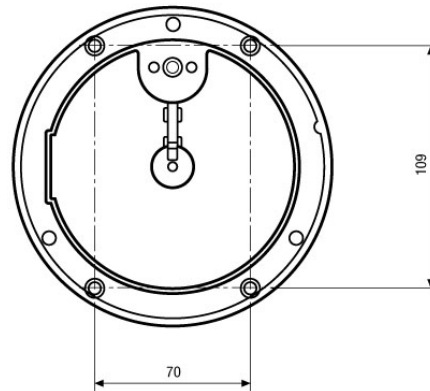
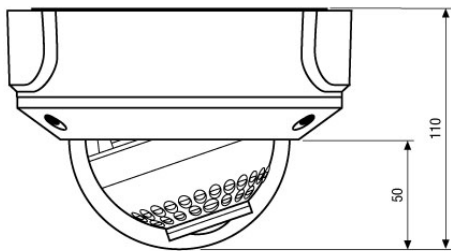
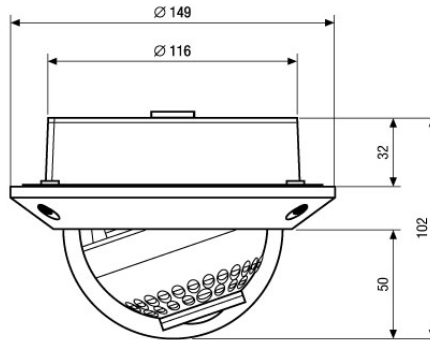
Home | Security | Domes | Fixed

## Technical drawing

### Aufbau / Surface Mount



### Einbau / Flush Mount



Maße/Dimensions: mm

GENITECH

108, rue Henri Barbusse - 95100 Argenteuil - FR  
Phone - 01.49.63.74.41 - Telefax - 01.49.63.74.51  
ecorbeau@genitech.fr - www.genitech.fr

**GENITECH**