

VKCD-1375

Home | Security | Domes | Fixed

VKCD-1375

1/3" Dome, Fixed, Day&Night, WDR, DSS,

Video Analysis, clear, 650TVL, 12/24VAC

Art-Nr. 92568



Main Features

1/3" Sony Super HAD II PS 960H interline transfer

Sensitivity of 0.1lux at F1.2 (colour/AGC high)

Wide dynamic range (WDR) up to x512 (54dB)

Intelligent backlight compensation (BLC)

Excessive highlight compensation (EHLC)

Powerful digital noise reduction (3D/2D DNR)

256x digital zoom and digital PTZ support

On-screen display (OSD)

Video analysis: Motion trace / Face trace, etc.

Privacy masking/Mirror function/Motion detection

External day&night selection / RS-485 interface

Integral F1.4/2.8-12mm varifocal DC iris lens

Specifications

System	day&night
Video standard	CCIR/PAL
Sensor size	1/3"
Imager	CCD, Sony Super HAD II PS 960H Interline Transfer
Active picture elements	570,000, 976(H) x 582(V)
Horizontal resolution	650 TVL
Synchronization	Internal/AC line lock
Signal-to-noise ratio	50dB (AGC OFF)
Gamma correction	0.45
Sensitivity (at 50% video signal)	0,1 Lux, (colour), 0.03Lux (B&W) at F1.2 (measured)
Automatic gain control (AGC)	OFF/LOW/MID/HIGH selectable
Exposure modes	automatic, Manual shutter, Flickerless, Low Light control, Offset add
Automatic electronic shutter (ESC)	1/50 ~ 1/100,000sec. (ON/OFF switchable)

VKCD-1375

(Continuation Specifications)

Manual electronic shutter (MES)	1/50 ~ 1/10.000sec.
Low speed shutter	yes, 32fps max. ON/OFF switchable
Digital Noise Reduction (DNR)	yes, 2D & 3D, gain adjust, DNR Demo
Backlight compensation	BLC, EHLC (Excessive High Light Compensation), Automatic, Spot, Zone, BLM (Backlight Masking)
Wide Dynamic Range (WDR)	yes, 54dB
Blemish compensation	automatic blemish detection and compensation (for up to 64 pixels). Detected pixel display
Aperture Correction (APC)	horizontal and vertical
Flickerless function	ON/OFF switchable
IR cut filter	switchable
Day/Night switching	By external contact closure
Privacy zones masking	up to 15 zones (Tilt, Color, Transparency, Mosaic)
Menu languages	English
OSD function control	H/V flip (Mirror picture), Rotation, Positive/Negative, Freeze, Sharpness correction, Frame control (Use for saving storage): Automatic, OFF~7sec., System Lock, Password protection
Text display	8 character labels, ON/OFF switchable
Activity detection	yes
Motion detector	4 zones, ON/OFF switchable
Mirror function	On/Off switchable
Digital zoom	2x ~256x, D-PTZ support
Analysis Functions	activity detection (compatible with digital PTZ support), motion tracking, face detection, virtual fence (mine area), removal (object disappearing or removing), cross object counting, people counter, Scene change (tamper detection)
Auto exposure	Automatic/Manual Shutter/AGC
Lens type	varifocal
Focal length	2,8 mm - 12 mm
Horizontal angle of view	81,2° - 22,6°
MOD (Minimum object distance)	0,2 m
Aperture range (F)	F1.4~F130
Iris control	DC
Video outputs	composite (CVBS), 1Vp-p, (C)VBS, 75ohms, BNC
Alarm inputs	no
Alarm outputs	1
e-PTZ support	no
Rotation range	359°
Illumination	no
External connections	video (BNC), voltage input, RS-485, alarm output TTL, open collector, external day&night switching

VKCD-1375

(Continuation Specifications)

Serial interfaces	RS-485
Housing	outdoor
Housing material	aluminium
Colour (bubble)	clear
Colour (housing)	Pantone Cool Gray 1C
Heater	no
Mounting	ceiling mount, wall mount
Supply voltage	12VDC, 24VAC, (+/-10%)
Power consumption	3.0W
Temperature range (operation)	-10°C ~+50°C
Protection rating	IP66
Vandalism resistant	yes
Dimensions (HxWxD)	see drawing
Colour	Pantone 877C, Side wings: Pantone Cool Gray 11C
Weight	760g
Parts supplied	Mounting kit, Torx wrench key, Manual
Certificates	CE

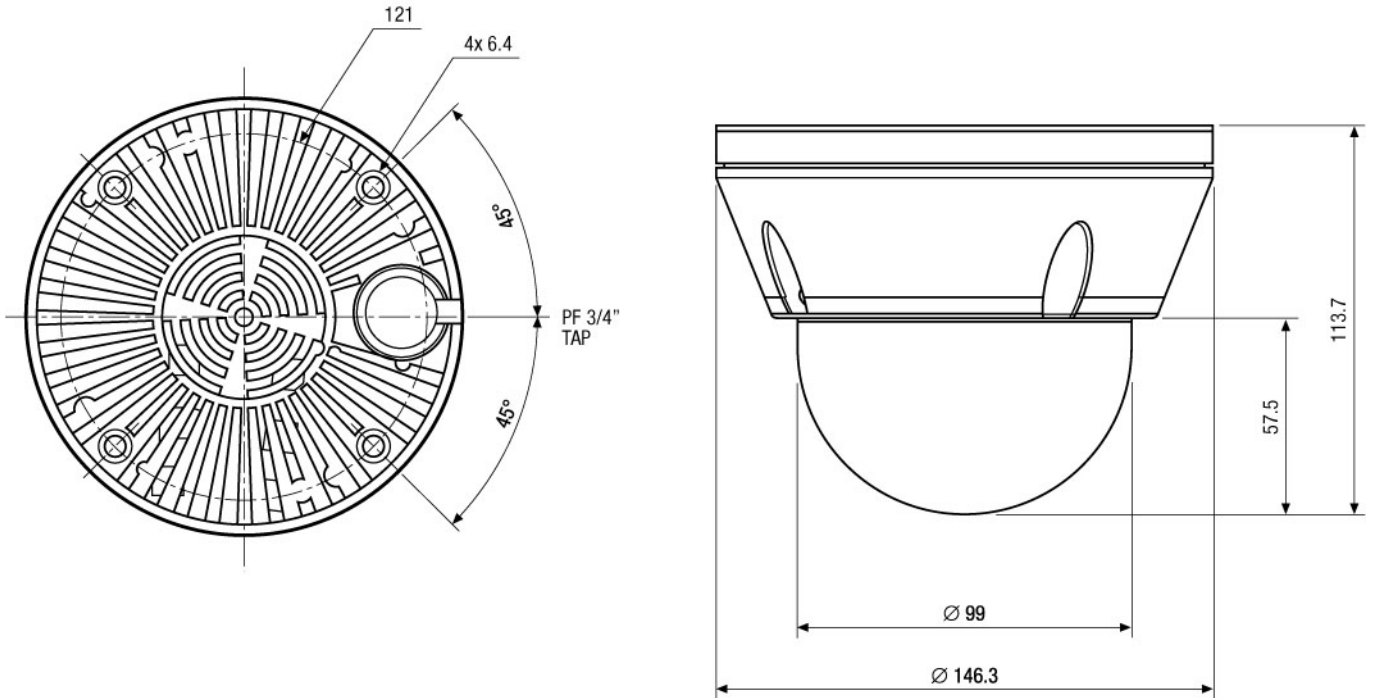
Optional accessories

70536	VT-PS12DC-9	Plug-in Power Supply Unit 100-240VAC 12VDC (1.0Amp), Regulated, w. open Ends
74155	EDMC/CWB-1	Wall or Pendant Mount Kit f. Dome Camera Series EDMC, NTD, NLD, NXD & VKCD-1375
74099	EDMC/H12	Low Voltage Heater Kit 12V/10W for Minitrax Series, NLD-1401, NXD-130x/140x
92192	VKCD-1410/KB	Remote Controller for VKCD-1410, VKC-1416(A/B) and NTC-4101
74104	EDMC/H24	Low Voltage Heater Kit 24V/10W for EDMC- 142, VKCD-1410, NLD-1401, NXD-130x/140x

VKCD-1375

Home | Security | Domes | Fixed

Technical drawing



Maße/Dimensions: mm

GENITECH

108, rue Henri Barbusse - 95100 Argenteuil - FR
Phone - 01.49.63.74.41 - Telefax - 01.49.63.74.51
ecorbeau@genitech.fr - www.genitech.fr

GENITECH