

VKCD-1332SM/3.8

Home | Security | Domes | Fixed

VKCD-1332SM/3.8
1/3" Dome, Fixed, Day&Night, 3,8mm Lens, 600TVL,

12VDC

Art-Nr. 92571



Main Features

1/3" Interline Transfer CCD

Sensitivity of 0.22Lux at F1.2 (colour & b/w)

Automatic gain control (AGC)

Backlight compensation (BLC)

High speed shutter control (ESC)

Automatic white balance (AWB)

Manual 3-axis camera gimbal

Integrated fix lens: F2.0/3.8mm

Supply voltage: 12VDC

Dome bubble size: 85mm diam.

For wall and ceiling surface mounting

Specifications

System	day&night
Video standard	PAL
Sensor size	1/3"
Imager	CCD, 1/3" Interline transfer CCD
Active picture elements	440,000 (H) 752 x (V) 582
Horizontal resolution	600 TVL
Synchronization	internal
Signal-to-noise ratio	50dB (AGC OFF)
Sensitivity (at 50% video signal)	0,2 Lux, (colour) at F1.2 (measured)
Automatic gain control (AGC)	supplied
Automatic electronic shutter (ESC)	1/50 ~ 1/120,000sec.
Low speed shutter	no
Digital Noise Reduction (DNR)	no

VKCD-1332SM/3.8

(Continuation Specifications)

Backlight compensation	BLC
Wide Dynamic Range (WDR)	no
Aperture Correction (APC)	horizontal and vertical
IR cut filter	OLPF (Overlay Low Pass Filter)
Activity detection	no
Digital zoom	no
Lens type	fixed focal length
Focal length	3,8 mm
Horizontal angle of view	65°
MOD (Minimum object distance)	0,1 m
Aperture range (F)	F2.0
Video outputs	composite (CVBS), 1Vp-p, (C)VBS, 75ohms, BNC
Alarm inputs	no
Alarm outputs	no
e-PTZ support	no
Rotation range	359°
Illumination	no
Serial interfaces	no
Housing	indoor
Housing material	plastic
Bubble	Polycarbonate plastic with black inner liner
Colour (bubble)	clear
Colour (housing)	Pantone Warm Gray 1C
Heater	no
Mounting	ceiling mount, wall mount
Supply voltage	12VDC, 12VDC (10 ~15VDC), 12VDC \pm 0.5V recommended
Power consumption	1.2W
Temperature range (operation)	-10°C ~+45°C
Protection rating	n/a
Vandalism resistant	no
Dimensions (HxWxD)	see drawing
Weight	210g
Parts supplied	Screw set, Drilling template, Manual
Certificates	CE

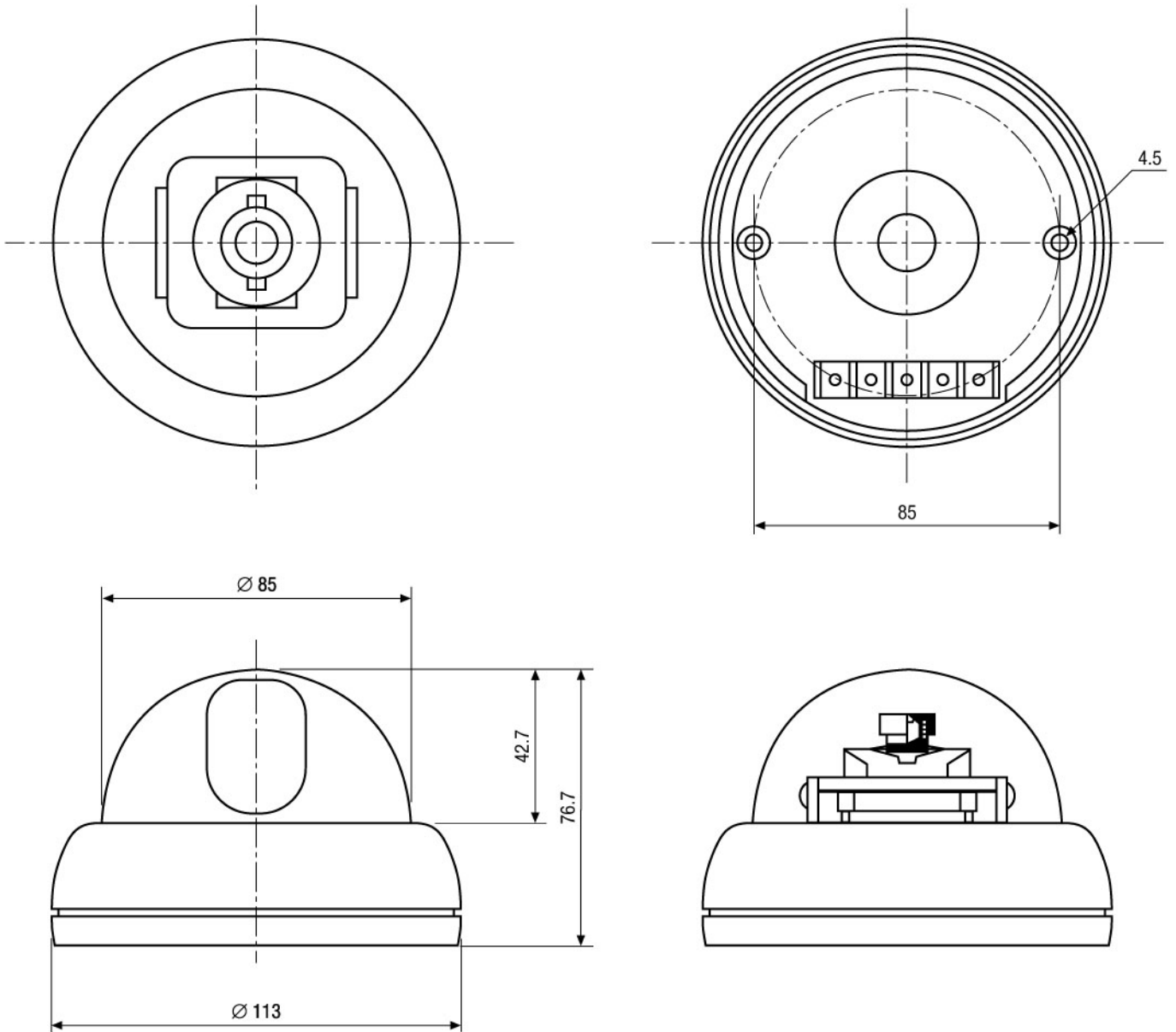
Optional accessories

70535	VT-PS12DC-8	Plug-in Power Supply Unit 100-240VAC 12VDC (1.0Amp), Regulated, with DC Plug
-------	-------------	--

VKCD-1332SM/3.8

Home | Security | Domes | Fixed

Technical drawing



Maße/Dimensions: mm

GENITECH Comptabilité

36 Rte de Montpellier · 34230 Vendémian · FR
Phone - 01.49.63.74.41 · Telefax - 01.49.63.74.51
genitech@genitech.fr · www.genitech.fr

GENITECH