

# VKC-1376

Home | Security | Cameras | Boxed

VKC-1376  
1/3" Camera, Day&Night, 600TVL, RS-485, 230VAC,

Art-Nr. 92572



Lens not included

## Main Features

|   |  |
|---|--|
| 1/3" Super HAD II CCD                   | Adjustable backlight compensation (BLC)          |
| Colour/b&w selection                    | Automatic white balance (AWB)                    |
| Sensitivity of 0.1Lux at F1.2 (colour)  | Privacy masking/Mirror function/Motion detection |
| Digital noise reduction (DNR)           | RS-485 interface                                 |
| Switchable automatic gain control (AGC) | Supply voltage: 230VAC                           |
| High speed shutter control (ESC/MES)    | CS mount   |

## Specifications

|                                    |   |
|------------------------------------|---|
| System                             | day&night   |
| Video standard                     | CCIR/PAL  |
| Sensor size                        | 1/3"  |
| Imager                             | CCD, Sony Super HAD II Interline Transfer           |
| Active picture elements            | 440,000 (H) 752 x (V) 582                           |
| Horizontal resolution              | 600 TVL   |
| Synchronization                    | internal  |
| Signal-to-noise ratio              | 50dB (AGC OFF)                                      |
| Sensitivity (at 50% video signal)  | 0,1 Lux, (colour), 0.03Lux (B&W) at F1.2 (measured) |
| Automatic gain control (AGC)       | ON/OFF switchable                                   |
| Automatic electronic shutter (ESC) | 1/50 ~ 1/100,000sec.                                |
| Manual electronic shutter (MES)    | 1/50 ~ 1/120,000sec.                                |
| Low speed shutter                  | no  |

# VKC-1376

(Continuation Specifications)

|                                      |   |
|--------------------------------------|---|
| <b>Digital Noise Reduction (DNR)</b> | yes, adjustable: Max / Mid / Min, ON/OFF switchable   |
| <b>Backlight compensation</b>        | BLC, adjustable: Max / Mid / Min and OFF  |
| <b>Wide Dynamic Range (WDR)</b>      | no  |
| <b>Aperture Correction (APC)</b>     | horizontal and vertical   |
| <b>Flickerless function</b>          | ON/OFF switchable   |
| <b>IR cut filter</b>                 | standard  |
| <b>Privacy zones masking</b>         | 4 areas selectable  |
| <b>OSD function control</b>          | Colour/B&W, AGC, Mirror, Sharpness, DC level, BLC, White balance, ESC, man. Shutter, DNR, Flickerless, Image adj., Privacy zones masking, Motion detection, Text/Camera ID, Initial |
| <b>Text display</b>                  | title, camera ID and status   |
| <b>Activity detection</b>            | yes   |
| <b>Motion detector</b>               | 4 zones, ON/OFF switchable  |
| <b>Mirror function</b>               | supplied  |
| <b>Digital zoom</b>                  | no  |
| <b>e-PTZ support</b>                 | no  |
| <b>Lens mount</b>                    | CS mount  |
| <b>Iris control</b>                  | Manual iris, DC controlled iris   |
| <b>Illumination</b>                  | no  |
| <b>External adjustments</b>          | Menu, Cursor Up/Down/Left/Right, Flange focus   |
| <b>Video outputs</b>                 | composite (CVBS), 1Vp-p, CVBS or VBS, 75ohms, BNC   |
| <b>External connections</b>          | Video (BNC), Voltage input, 5 pin RS-485 control  |
| <b>Serial interfaces</b>             | RS-485  |
| <b>Camera mount</b>                  | 1/4" - 20 UNC thread on top and bottom  |
| <b>Alarm inputs</b>                  | no  |
| <b>Alarm outputs</b>                 | no  |
| <b>Supply voltage</b>                | 100~240VAC, (+/-10%), 50Hz  |
| <b>Power consumption</b>             | 7.0W  |
| <b>Housing</b>                       | indoor  |
| <b>Colour</b>                        | Silver grey   |
| <b>Hidden cable management</b>       | no  |
| <b>Vandalism resistant</b>           | no  |
| <b>Protection rating</b>             | n/a   |
| <b>Temperature range (operation)</b> | -10°C ~+50°C  |
| <b>Dimensions (HxWxD)</b>            | see drawing   |
| <b>Weight</b>                        | 430g  |
| <b>Parts supplied</b>                | 5-pin adapter cable with open ends, 4-pin lens plug, manual   |
| <b>Certificates</b>                  | CE  |

## Optional accessories

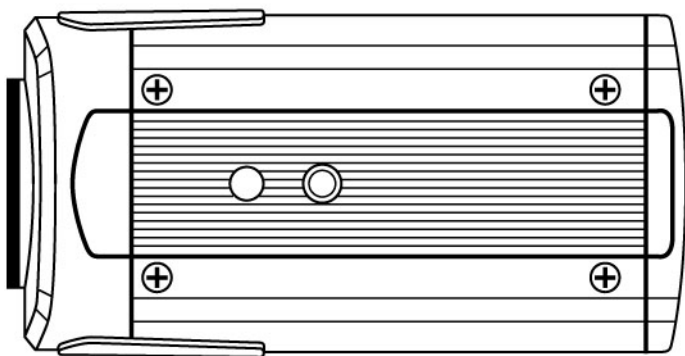
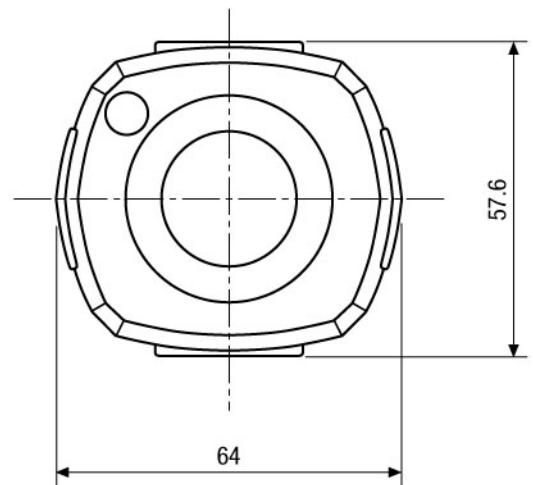
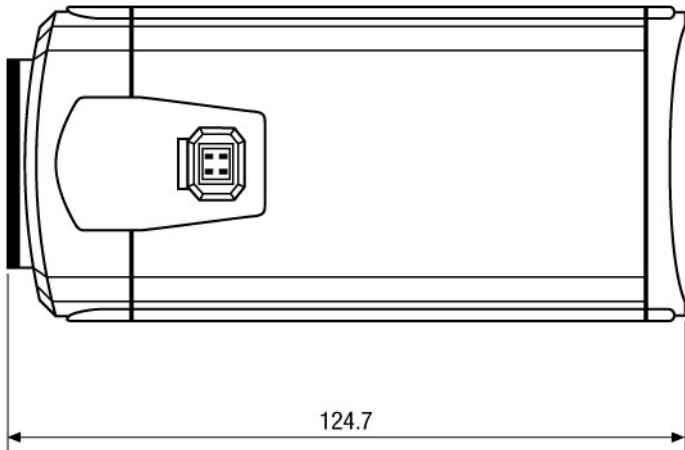
## VKC-1376

|       |                 |   |
|-------|-----------------|---|
| 70771 | WD-23           | Wall Mount Bracket with Ball Joint, 1/4" Camera Fixing Screw, Pantone 877     |
| 43274 | F03Z2.6DC-NFSHR | F1.0/3-8mm DC Lens, Varifocal, No Focus Shift, High Resolution, 1/3" CS Mount |
| 79644 | VTL-WWD         | Weatherproof Housing (300mm) RAL9002, Wallbracket, Thermostat, Heater 12-24V  |

# VKC-1376

Home | Security | Cameras | Boxed

## Technical drawing



Maße/Dimensions: mm

GENITECH

108, rue Henri Barbusse - 95100 Argenteuil - FR  
Phone - 01.49.63.74.41 - Telefax - 01.49.63.74.51  
ecorbeau@genitech.fr - www.genitech.fr