

# VKCD-1325-B/IR

Home | Security | Domes | Fixed

VKCD-1325-B/IR  
1/3" Dome, Fixed, Day&Night, clear, 3.8-9.5mm,  
600TVL, IR Illumination, 12V

**Art-Nr. 92597**



## Main Features

For wall and ceiling flush and surface mount	Automatic gain control (AGC)
Vandal and tamper-resistant	Intelligent infra-red illumination
Integrated F1.2/3.8-9.5mm varifocal DC iris lens	15m night observation distance (24 pcs. IR LED's)
Externally adjustable focus & zoom	Manual 3-axis camera gimbal
Removable IR cut filter	Supply voltage: 12VDC
Sensitivity of 0.1Lux at F1.2 (colour)	Ball eye size: 96mm

## Specifications

System	day&night
Video standard	PAL
Sensor size	1/3"
Imager	CCD, Sony Super HAD Interline Transfer
Active picture elements	440,000 (H) 752 x (V) 582
Horizontal resolution	600 TVL
Synchronization	internal
Signal-to-noise ratio	50dB (AGC OFF)
Gamma correction	0.45
Sensitivity (at 50% video signal)	0,1 Lux, (colour), 0.05Lux (B&W) at F1.2 (measured)
Automatic gain control (AGC)	supplied
Low speed shutter	no
Digital Noise Reduction (DNR)	no

# VKCD-1325-B/IR

(Continuation Specifications)

<b>Backlight compensation</b>	no
<b>Wide Dynamic Range (WDR)</b>	no
<b>White balance</b>	automatic
<b>Aperture Correction (APC)</b>	horizontal, vertical
<b>IR cut filter</b>	switchable, motorized, switchable filter. Automatic function depend on the amount of light. In removed filter position, the colour signal will be switched OFF
<b>Activity detection</b>	no
<b>Digital zoom</b>	no
<b>Analysis Functions</b>	no
<b>Lens type</b>	varifocal
<b>Focal length</b>	3,8 mm - 9,5 mm
<b>Horizontal angle of view</b>	74,2° - 30°
<b>MOD (Minimum object distance)</b>	0,15 m
<b>Aperture range (F)</b>	F1.2 -F260
<b>External adjustments</b>	zoom and focus
<b>Video outputs</b>	composite (CVBS), 1Vp-p, CVBS, 75ohms
<b>Alarm inputs</b>	no
<b>Alarm outputs</b>	no
<b>e-PTZ support</b>	no
<b>Rotation range</b>	360°
<b>Illumination</b>	infrared, 25x IR LED (850nm, 30°). Due to an integrated light sensor the LED illumination will be switched ON/OFF, depending on environmental illumination conditions.
	nein
<b>External connections</b>	video (BNC), voltage input
<b>Serial interfaces</b>	no
<b>Housing</b>	outdoor
<b>Housing material</b>	aluminium
<b>Colour (bubble)</b>	clear
<b>Colour (housing)</b>	anthracite
<b>Heater</b>	no
<b>Mounting</b>	wall mount, ceiling mount
<b>Supply voltage</b>	12VDC, (+/-10%)
<b>Power consumption</b>	5W
<b>Temperature range (operation)</b>	-10°C ~+50°C
<b>Protection rating</b>	IP66
<b>Vandalism resistant</b>	yes
<b>Dimensions (HxWxD)</b>	see drawing
<b>Weight</b>	870g

# VKCD-1325-B/IR

(Continuation Specifications)

<b>Parts supplied</b>	dome camera, bag of screws, allen key, DC cable with open ends, drilling template, manual, special key for lens adjustment
-----------------------	--

<b>Certificates</b>	CE
---------------------	----

## Optional accessories

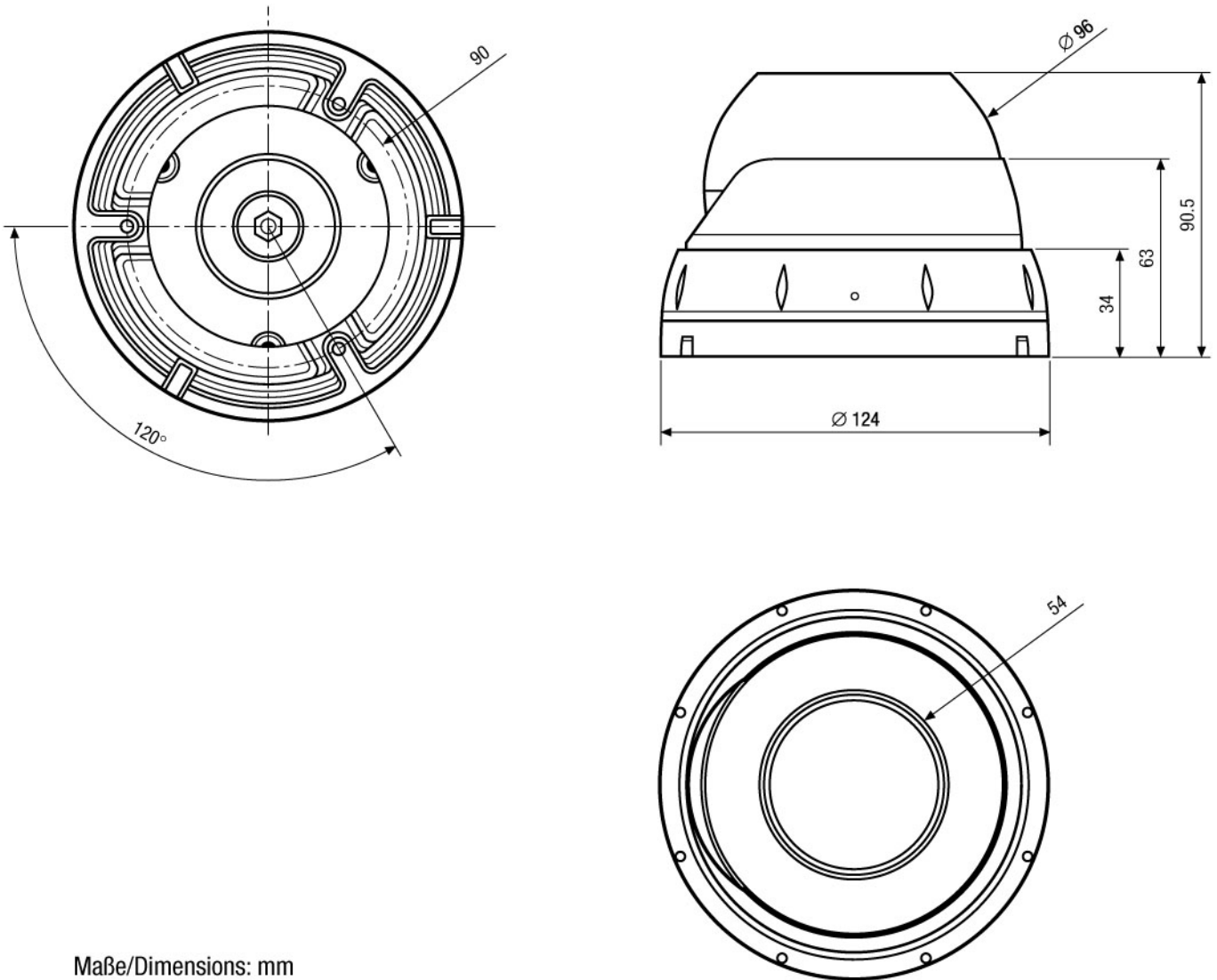
<b>70535</b>	<b>VT-PS12DC-8</b>	Plug-in Power Supply Unit 100-240VAC 12VDC (1.0Amp), Regulated, with DC Plug
--------------	--------------------	--

<b>92557</b>	<b>VDOME/WB3</b>	Wall Mount Kit for VKCD-1325/IR
--------------	------------------	---------------------------------

# VKCD-1325-B/IR

Home | Security | Domes | Fixed

## Technical drawing



Maße/Dimensions: mm

GENITECH

**GENITECH**

108, rue Henri Barbusse - 95100 Argenteuil - FR  
Phone - 01.49.63.74.41 - Telefax - 01.49.63.74.51  
ecorbeau@genitech.fr - www.genitech.fr