

VKCD-1326B/IR

Home | Security | Domes | Fixed

VKCD-1326B/IR
1/3" Dome, Fixed, Day&Night, tinted, 3.8-9.5mm,
600TVL, IR Illumination, 12V

Art-Nr. 92701



Main Features

1/3" Super HAD II CCD sensor	Privacy zones, mirror function, motion detection
Integrated F1.2/3.8-9.5mm varifocal DC lens	Automatic/manual white balance (AWB)
Intelligent IR illumination	High speed shutter (ESC & MES)
Menu-controlled setup	Manual 3-axis camera gimbal
Digital noise reduction (DNR)	Supply voltage 12VDC
Intelligent backlight compensation (SBLC)	For wall and ceiling flush and surface mount

Specifications

System	day&night
Video standard	PAL
Sensor size	1/3"
Imager	CCD
Active picture elements	440,000 (H) 752 x (V) 582
Horizontal resolution	600 TVL
Synchronization	internal
Signal-to-noise ratio	50dB (AGC OFF)
Gamma correction	0.45
Sensitivity (at 50% video signal)	0,18 Lux, (colour), 0.09Lux (B&W) at F1.2 (measured)
Automatic gain control (AGC)	ON/OFF, 0~20dB adjustable
Automatic electronic shutter (ESC)	1/50 ~ 1/120,000sec.
Manual electronic shutter (MES)	1/50 ~ 1/120,000sec.

VKCD-1326B/IR

(Continuation Specifications)

Low speed shutter	no
Digital Noise Reduction (DNR)	yes
Backlight compensation	SBLC
Wide Dynamic Range (WDR)	no
White balance	automatic, manual, push to set
Aperture Correction (APC)	horizontal, vertical
Flickerless function	ON/OFF switchable
IR cut filter	switchable, motorized, switchable filter. Automatic function depend on the amount of light, or fixed on "Day" or "Night" mode (Menu controlled)
Privacy zones masking	4 areas, masking, X/Y start/end
Menu languages	English
OSD function control	iris, shutter control, white balance, AGC, day&night, BLC, digital noise reduction (DNR), sharpness, mirror horizontal, motion detection, privacy zones
Text display	8 character labels, ON/OFF switchable
Activity detection	yes
Motion detector	4 zones, ON/OFF switchable
Mirror function	horizontal
Digital zoom	no
Analysis Functions	no
Lens type	varifocal
Focal length	3,8 mm - 9,5 mm
Horizontal angle of view	64,6° - 28,4°
MOD (Minimum object distance)	0,15 m
Aperture range (F)	F1.2~F270
Iris control	DC
Video outputs	composite (CVBS), 1Vp-p, CVBS, 75ohms
Alarm inputs	no
Alarm outputs	-
Rotation range	360°
Illumination	infrared
External connections	video (BNC), voltage input
Serial interfaces	no
Housing	outdoor
Housing material	aluminium
Colour (bubble)	tinted
Heater	no
Mounting	wall mount, ceiling mount
Supply voltage	12VDC, (+/-20%)
Power consumption	4W max.

VKCD-1326B/IR

(Continuation Specifications)

Temperature range (operation)	-10°C ~+50°C
Protection rating	IP65
Vandalism resistant	yes
Dimensions (HxWxD)	see drawing
Parts supplied	dome camera, bag of screws, test monitor cable, DC cable with open ends, drilling template, manual
Certificates	CE

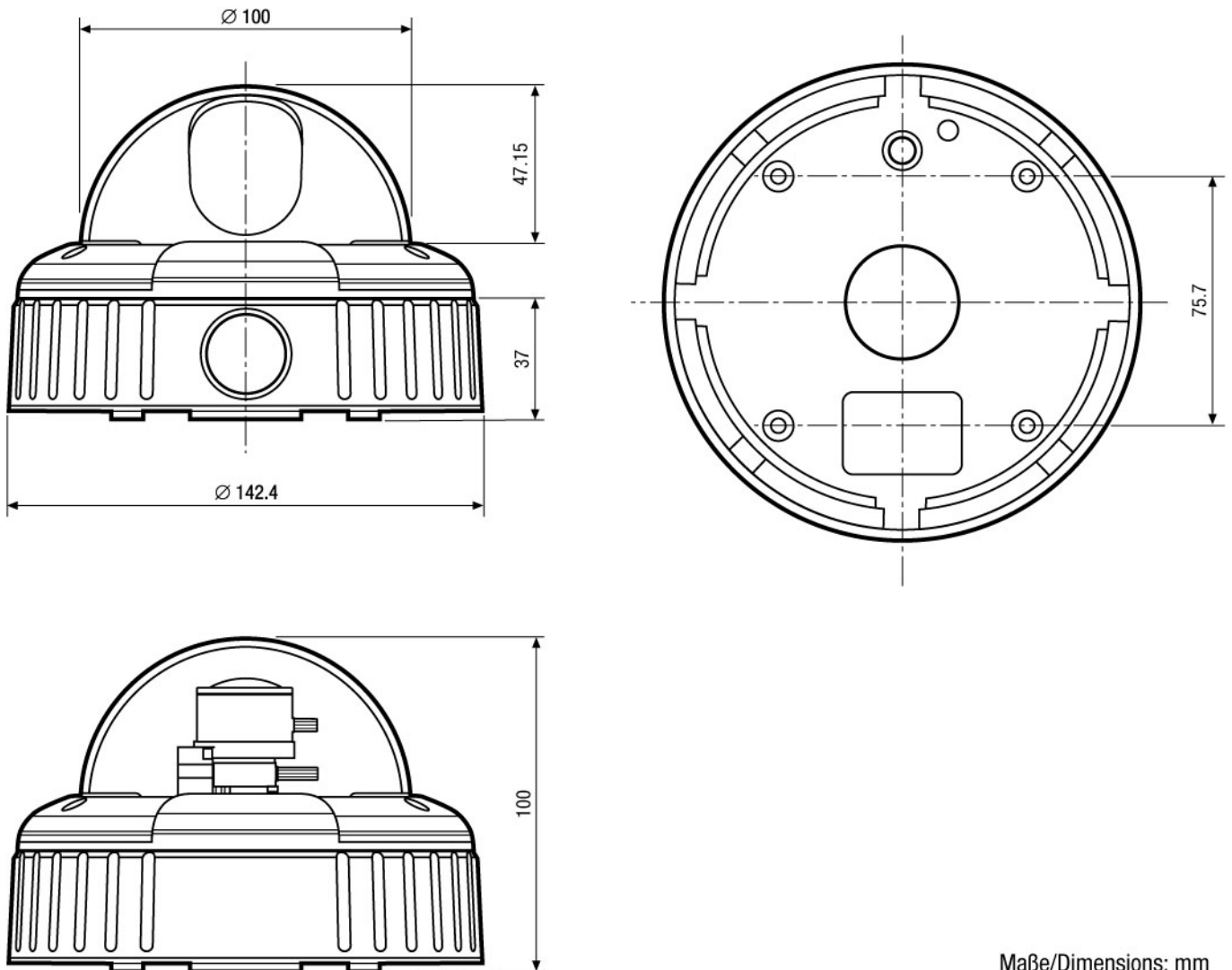
Optional accessories

70535	VT-PS12DC-8	Plug-in Power Supply Unit 100-240VAC 12VDC (1.0Amp), Regulated, with DC Plug
77773	VT-PS12DCDT1	PSU 12VDC/1.0A, Regulated, Desktop Version, 1.8m Cables each w. open ends
70495	VT-PS12DC-7	Plugable PSU w. Cont. & UK Mains plug-in 100- 240VAC/12VDC-1.25A, Regulated
88149	3/4" - M25X1.5	Thread Adapter 3/4" - Conduit Connection M25x1.5mm for Dome Surface Mount Housing
74151	VDOME/WB2	Wall Mount Kit for Vandalism Resistant Dome Cameras SM/VF Series

VKCD-1326B/IR

Home | Security | Domes | Fixed

Technical drawing



Maße/Dimensions: mm

GENITECH

108, rue Henri Barbusse - 95100 Argenteuil - FR
Phone - 01.49.63.74.41 - Telefax - 01.49.63.74.51
ecorbeau@genitech.fr - www.genitech.fr

GENITECH