

VKCD-1324B/IR

Home | Security | Domes | Fixed

VKCD-1324B/IR

1/3" Dome, Fixed, Day&Night, Pixim, clear,

2.8-10mm, 570TVL, IR LED, 12/24V

Art-Nr. 92751



Main Features

Digital Pixel System (Pixim Seawolf DSP)

Wide dynamic range: 102dB, 120dB max.

Built-in lens F1.2/2.8-10mm with DC iris control

Sensitivity of 0.4Lux (F1.2 / colour)

Removable IR cut filter

Digital noise reduction (DNR)

Adjustable low speed shutter (DSS)

Motion detection with 4 zones

IR illumination by 35 integral 850nm LEDs

Surface mounting / Clear bubble

Weatherproof camera / Protection rating: IP66

Supply Voltage: 12VDC/24VAC

Specifications

System	day&night
Video standard	PAL/NTSC
Sensor size	1/3"
Imager	DPS (Pixim)
Active picture elements	768(H) x 540(V) pixels
Horizontal resolution	570 TVL
Synchronization	Internal/Line-lock
Signal-to-noise ratio	52db (AGC OFF)
Gamma correction	0.45 (configuration via menu from 0.25-1.0)
Sensitivity (at 50% video signal)	0,4 Lux, (colour), 0.06Lux (B&W) at F1.2 (measured)
Low speed shutter	yes, 2 ~64 Fps., ON /OFF switchable
Digital Noise Reduction (DNR)	yes
Backlight compensation	no

VKCD-1324B/IR

(Continuation Specifications)

Wide Dynamic Range (WDR)	yes, 102dB typ., 120dB max.
White balance	automatic, manual
Aperture Correction (APC)	horizontal and vertical
IR cut filter	switchable, motorized, switchable filter. Automatic function depend on the amount of light. Manual switching: see "switching-over colour/b&w". In removed filter position, the colour signal will be switched OFF
Privacy zones masking	6 zones masking, ON/OFF switchable
Menu languages	English
OSD function control	white balance, exposure, iris: DC/manual, DNR, digital zoom, colour intensity, H/V flip (mirror picture), Rotation, motion detection, privacy zones, day&night, sharpness, WDR, PAL/NTSC, freeze
Activity detection	yes
Motion detector	4 zones, ON/OFF switchable
Mirror function	horizontal, vertical, 180° rotation
Digital zoom	2 ~12x, D-PTZ support
Auto exposure	Automatic/Manual Shutter/AGC
Lens type	varifocal
Focal length	2,8 mm - 10 mm
Horizontal angle of view	81,2° - 27°
MOD (Minimum object distance)	0,1 m
Aperture range (F)	F1.2~F250
Iris control	DC
Video outputs	composite (CVBS), BNC
Alarm inputs	no
Alarm outputs	no
e-PTZ support	yes
Rotation range	360°
Illumination	infrared, 35x LEDs 850nm (17x50°,18x100°), integrated light sensor for On/Off switching of the illumination
External connections	voltage input, video (BNC)
Serial interfaces	no
Serial interfaces protocols	Coaxitron
Housing	aluminium
Housing material	aluminium
Colour (bubble)	clear
Colour (housing)	Pantone Warm Gray 1C
Mounting	wall mount, flush mount, ceiling mount
Supply voltage	12VDC, 24VAC, (10.5 ~30VDC, 12 ~29VAC)
Power consumption	10W max.
Temperature range (operation)	-10°C ~+50°C

VKCD-1324B/IR

(Continuation Specifications)

Protection rating	IP66
Vandalism resistant	yes
Dimensions (HxWxD)	see drawing
Weight	approx. 1.0kg
Parts supplied	dome camera, test monitor cable, bag of screws, Torx key, manual
Certificates	CE
Special features	electronic focus help function enables an exact focus adjustment for colour- and black & white mode without the support of a separate ND- or Grey- filter.

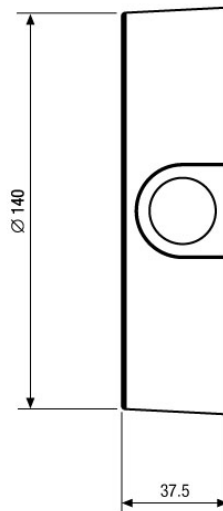
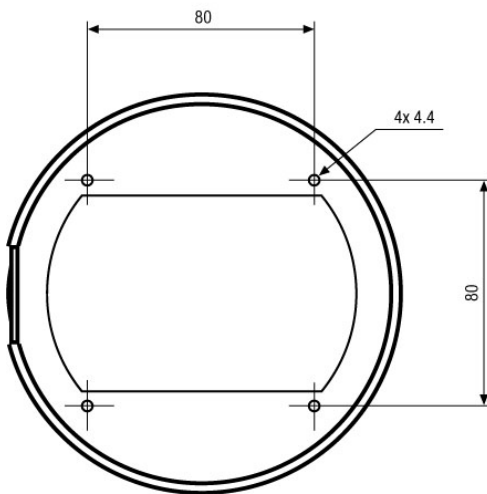
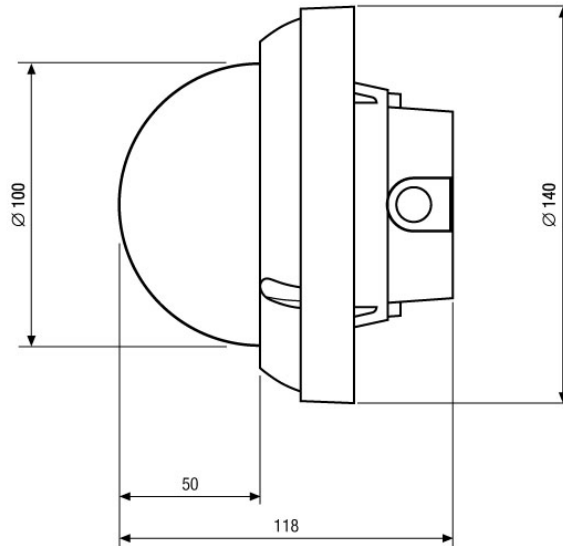
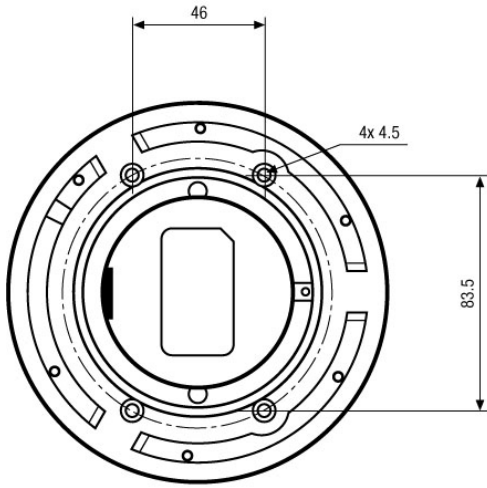
Optional accessories

70495	VT-PS12DC-7	Plugable PSU w. Cont. & UK Mains plug-in 100- 240VAC/12VDC-1.25A, Regulated
92168	IRCAM/WB2	Wall Mount Kit for VKCD-1322 and VKCD-1324/IR
88149	3/4" - M25X1.5	Thread Adapter 3/4" - Conduit Connection M25x1.5mm for Dome Surface Mount Housing
92389	VKCD-1324/IR-MC	Spot Monitor Cable for VKCD-1324/IR
92209	IRCAM/CB1	Ceiling Mount Kit for VKCD-1322 and VKC-1324/IR

VKCD-1324B/IR

Home | Security | Domes | Fixed

Technical drawing



Maße/Dimensions: mm

GENITECH

108, rue Henri Barbusse - 95100 Argenteuil - FR
Phone - 01.49.63.74.41 - Telefax - 01.49.63.74.51
ecorbeau@genitech.fr - www.genitech.fr