

HDC-2220M1080

Home | Security | HDcctv / HD-SDI | Plug & Play

HDC-2220M1080
1/3" HDcctv Camera, Day&Night, 1920x1080, WDR,
20x Auto Focus Zoom, 12VDC

Art-Nr. 202435



Main Features

1/3" 2.2 megapixels Progressive Scan CMOS	WDR (Wide Dynamic Range)
Resolution max. 1920 x 1080 (HD 1080p)	DNR 2D+3D (digitale noise reduction)
1.5G HD-SDI video transmission via coax cable	20x motorzoom lens 4.7-94mm
HD-SDI, HDMI and analog-video output	Privacy zones
Removeable infrared cut filter (ICR)	Plug and Play

Specifications

Series	eneo HDcctv
System	True Day&Night
Sensor size	1/3"
Imager	CMOS, Panasonic Progressive Scan CMOS imager
Active picture elements	1944(H) x 1092(V)
Synchronization	internal
Signal-to-noise ratio	-50 db
Resolution	1920x1080 (16:9), 1280x720 (16:9)
Frame rate	1080 @ 25/30p, 720 @ 50/60p
Horizontal resolution	700 TVL, @ analogue FBAS control output
Sensitivity	1,0 Lux, 0.5Lux(b&w), 50 IRE
Exposure modes	iris priority, shutter priority, manual, automatic
Automatic electronic shutter (ESC)	1/25~1/60000sec.
Manual electronic shutter (MES)	1/25~1/60000sec.

HDC-2220M1080

(Continuation Specifications)

Low speed shutter	yes, 2x ~4x
Automatic gain control (AGC)	yes
Digital Noise Reduction (DNR)	yes, 2D & 3D
Flickerless function	ON/OFF switchable
Mirror function	V flip, H-flip, H/V flip
White balance	AWB, automatic, indoor, outdoor, one push, manual
Backlight compensation	BLC, HLC, ON/OFF switchable
Wide Dynamic Range (WDR)	WDR
Brightness	adjustment range: 1 ~10
Sharpness correction	adjustment range: 1 ~10
IR cut filter	switchable
Internal adjustments	jostick menu access
Video outputs	HD-SDI (BNC) SMPTE 292M standard, composite control out, HDMI
Lens type	zoom
Focal length	4,7 mm - 94 mm
Aperture range (F)	F1.6~F3.5
e-PTZ support	no
Digital zoom	2x ~32x
Horizontal angle of view	54,2° - 3°
Iris control	DC
Focus control	automatic and manual
MOD (Minimum object distance)	0,5 m
Filter screw size	n/a
Illumination	no
Menu languages	English
OSD function control	BLC/HLC, AWB, motion detection, freeze, day&night, resolution, WDR, DNR, shutter control, privacy zones, white pixel correction, flickerless fuction
Activity detection	yes
Motion detector	4 zones, ON/OFF switchable
Privacy zones masking	32 zones masking
Serial interfaces	RS-485
Serial interfaces protocols	Pelco D, Pelco P, Visca
External adjustments	menu
External connections	voltage input, AD key, video (BNC), HD-SDI BNC output, alarm output, external day&night switching
Kind of mounting	1/4-20 mounting bolt
Temperature range (operation)	-10°C ~+50°C
Housing material	aluminium, plastic
Housing	indoor

HDC-2220M1080

(Continuation Specifications)

Integrated wall mount	no
Hidden cable management	no
Sunshield	no
Window heater	no
Colour (housing)	silver, black
Vandalism resistant	no
Protection rating	n/a
Alarm inputs	no
Alarm outputs	1x TTL open collector output
Supply voltage	12VDC, 12VDC (+/-10%)
Power consumption	approx. 6W
Dimensions (HxWxD)	70x67x128
Weight	570g
Parts supplied	manual
Certificates	CE

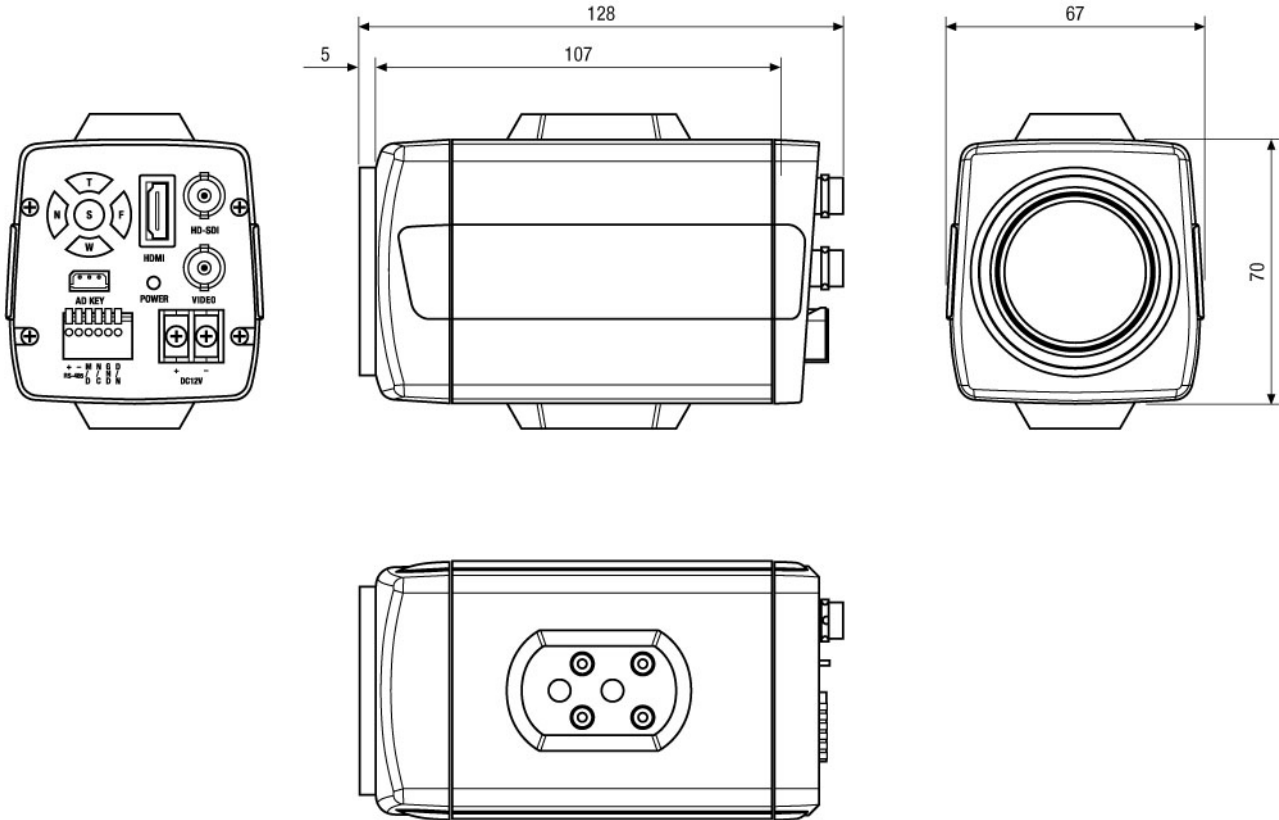
Optional accessories

203658	VT-PS12DC-11	Plug-in Power Supply Unit, 100-240VAC/12VDC (1.0A), Regulated, with DC Plug
200836	HDA-1002EC	Extender/Converter 1 x HD-SDI Input, 1 x HD-SDI Output, 1 x HDMI Output
70771	WD-23	Wall Mount Bracket with Ball Joint, 1/4" Camera Fixing Screw, Pantone 877
204246	HDA-1010TRE	HD-SDI Extender, Transmitter-Receiver Pair, Coaxial Cable Transmission
200817	HDA-1004D	Distributor HD-SDI, 1 x HD-SDI Input, 4 x HD-SDI Outputs
200818	HDA-1001E	Repeater HD-SDI, 1 x HD-SDI Input, 1 x HD-SDI Output
204247	HDA-1020TRB	HD-SDI Balun, Transmitter-Receiver pair, UTP cable transmission

HDC-2220M1080

Home | Security | HDcctv / HD-SDI | Plug & Play

Technical drawing



Maße/Dimensions: mm

GENITECH Comptabilité

36 Rte de Montpellier · 34230 Vendémian · FR
Phone - 0811.040.048 · Telefax - 01.49.63.74.51
genitech@genitech.fr · www.genitech.fr

HDC-2203M1080

Home | Security | HDcctv / HD-SDI | Plug & Play

HDC-2203M1080
1/2,9" HDcctv Camera, Day&Night, 1920x1080, WDR,
3 x Auto Focus Zoom, 12VDC

Art-Nr. 205347



Main Features

1/2.9" 2.2 megapixels Progressive Scan CMOS
Resolution max. 1920 x 1080 (HD 1080p)
1.5G HD-SDI transmission via coax cable
HD-SDI and analog-video output
Removeable infrared cut filter (ICR)

WDR (Wide Dynamic Range)
DNR 2D+3D (digitale noise reduction)
3x motorzoom lens 3-9mm
Privacy zones
Plug and Play

Specifications

Series	eneo HDcctv
System	day&night
Sensor size	1/2.9"
Imager	CMOS, Panasonic Progressive Scan CMOS imager
Active picture elements	1936(H) x 1097(V)
Synchronization	internal
Signal-to-noise ratio	-50 db
Resolution	1920x1080 (16:9), 1280x720 (16:9)
Frame rate	1080 @ 25/30p, 720 @ 50/60p
Horizontal resolution	700 TVL, @ analogue FBAS control output
Sensitivity	0,5 Lux, (Colour) 0,1Lux (SW)
Exposure modes	automatic, manual, shutter, shutter priority
Automatic electronic shutter (ESC)	1/25~1/60000sec.
Manual electronic shutter (MES)	1/25~1/60000sec.

HDC-2203M1080

(Continuation Specifications)

Low speed shutter	yes, 2x ~4x
Digital Noise Reduction (DNR)	yes, 2D-DNR, 3D- DNR
Mirror function	V flip, flip, rotation
White balance	automatic, one push, manual, indoor, outdoor
Backlight compensation	BLC, HLC
Wide Dynamic Range (WDR)	WDR
IR cut filter	switchable
Video outputs	HD-SDI (BNC) SMPTE 292M standard, composite control out
Lens type	auto focus zoom
Focal length	3 mm - 9 mm
Aperture range (F)	F1.2~F2.1
e-PTZ support	no
Digital zoom	2x ~32x
Horizontal angle of view	71,57° - 27,02°
Iris control	DC
MOD (Minimum object distance)	0,5 m
Filter screw size	not available
Illumination	no
Menu languages	English
OSD function control	AGC, motion detection, DNR, shutter control, H/V flip (mirror picture), Rotation, day&night, privacy zones, white balance
Text display	camera title
Activity detection	yes
Motion detector	3 zones, ON/OFF switchable
Privacy zones masking	ON/OFF switchable
Serial interfaces	RS-485
Serial interfaces protocols	Pelco D, Pelco P, Visca
External adjustments	menu
External connections	12VDC power input, external day&night switching, RS-485, alarm output, HD-SDI BNC output, FBAS video (2 pin)
Kind of mounting	1/4-20 mounting bolt
Mounting	housing assy, wall mount, Wall mounting only in conjunction with related accessories
Temperature range (operation)	0°C ~+60°C
Housing material	aluminium, plastic
Housing	indoor
Integrated wall mount	no
Hidden cable management	no
Sunshield	no
Window heater	no

HDC-2203M1080

(Continuation Specifications)

Colour (housing)	black, silver
Vandalism resistant	no
Protection rating	n/a
Alarm inputs	no
Alarm outputs	yes
Supply voltage	12VDC, (+/-10%)
Power consumption	4.5W
Dimensions (HxWxD)	64x59x99mm
Weight	0.31kg
Parts supplied	manual, Video sub-out cable
Certificates	CE

Optional accessories

203658	VT-PS12DC-11	Plug-in Power Supply Unit, 100-240VAC/12VDC (1.0A), Regulated, with DC Plug
200836	HDA-1002EC	Extender/Converter 1 x HD-SDI Input, 1 x HD-SDI Output, 1 x HDMI Output
70771	WD-23	Wall Mount Bracket with Ball Joint, 1/4" Camera Fixing Screw, Pantone 877
204246	HDA-1010TRE	HD-SDI Extender, Transmitter-Receiver Pair, Coaxial Cable Transmission
200817	HDA-1004D	Distributor HD-SDI, 1 x HD-SDI Input, 4 x HD-SDI Outputs
200818	HDA-1001E	Repeater HD-SDI, 1 x HD-SDI Input, 1 x HD-SDI Output
204247	HDA-1020TRB	HD-SDI Balun, Transmitter-Receiver pair, UTP cable transmission

GENITECH Comptabilité

36 Rte de Montpellier · 34230 Vendémian · FR
Phone - 0811.040.048 · Telefax - 01.49.63.74.51
genitech@genitech.fr · — www.genitech.fr



HDC-1004M1080

Home | Security | HDcctv / HD-SDI | Boxed

HDC-1004M1080
1/3" HDcctv Board Camera, 1920x1080, WDR, 3DNR,
3.7mm, 12VDC

Art-Nr. 204274



Main Features

1/3" 2.1 megapixels Progressive Scan CMOS	Digital zoom (0x - 20x)
Resolution max. 1920 x 1080 (HD 1080p)	Privacy zones
1.5G HD-SDI video transmission via coax	Supply voltage: 12VDC
WDR (wide dynamic range)	Compact board size (38x38mm)
Integral motion detection	OSD Control Joystick
RS-485 communication (Pelco D)	

Specifications

Series	eneo HDcctv
System	electronic Day&Night
Sensor size	1/3"
Imager	CMOS, Sony Exmor
Active picture elements	1984(H) x 1105(V)
Synchronization	internal
Signal-to-noise ratio	50dB
Resolution	1920x1080 (16:9), 1280x720 (16:9)
Frame rate	1080 @ 25/30p, 720 @ 50/60p
Sensitivity	0,5 Lux, (colour), 50 IRE
Exposure modes	automatic, manual
Automatic electronic shutter (ESC)	1/25~1/30000sec.
Low speed shutter	yes, 0x~4x

HDC-1004M1080

(Continuation Specifications)

Automatic gain control (AGC)	0~23dB
Digital Noise Reduction (DNR)	yes, 3D- DNR
Mirror function	V flip, H-flip
White balance	push lock, manual, automatic
Backlight compensation	BLC, ON/OFF switchable
Wide Dynamic Range (WDR)	WDR, D-WDR, 4 modes
IR cut filter	standard
Video outputs	HD-SDI (BNC) SMPTE 292M standard, composite control out
Lens type	fixed focal length
Focal length	3,7 mm
e-PTZ support	no
Digital zoom	yes
Illumination	no
Menu languages	German, English, French, Spanish, Portugese, Russian
OSD function control	resolution, AGC, exposure, motion detection, WDR, white balance, shutter control, DNR, privacy zones, H/V flip (mirror picture)
Text display	camera title, camera ID
Activity detection	yes
Privacy zones masking	30 zones masking
Serial interfaces	RS-485
Serial interfaces protocols	Pelco D
External connections	voltage input, HD-SDI BNC output, RS-485
Temperature range (operation)	-10°C ~+50°C
Housing	indoor
Hidden cable management	no
Colour (housing)	black
Vandalism resistant	no
Protection rating	n/a
Alarm inputs	no
Alarm outputs	no
Supply voltage	12VDC, (+/-10%)
Power consumption	2W
Dimensions (HxWxD)	38x38x33mm
Weight	80g
Parts supplied	manual, screw set, Connection cable set, Mounting Bracket
Certificates	CE, FCC

Optional accessories

203658	VT-PS12DC-11	Plug-in Power Supply Unit, 100-240VAC/12VDC (1.0A), Regulated, with DC Plug
--------	--------------	---

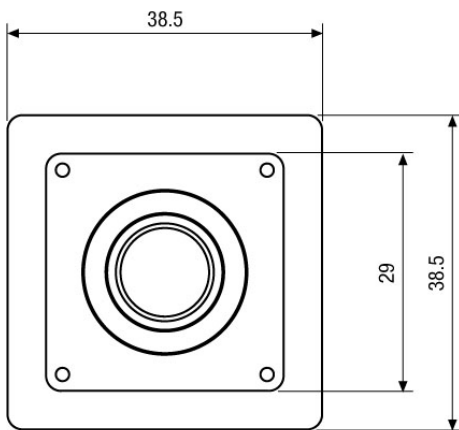
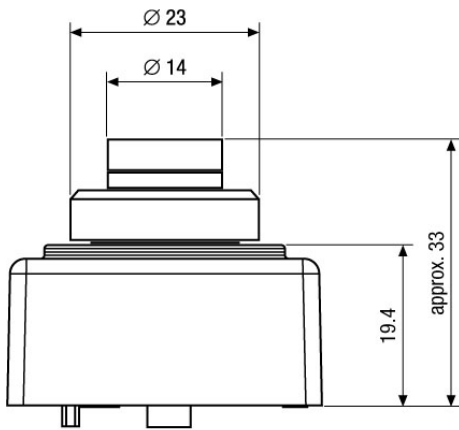
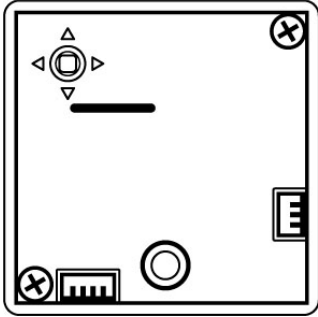
HDC-1004M1080

200836	HDA-1002EC	Extender/Converter 1 x HD-SDI Input, 1 x HD-SDI Output, 1 x HDMI Output
204246	HDA-1010TRE	HD-SDI Extender, Transmitter-Receiver Pair, Coaxial Cable Transmission
200817	HDA-1004D	Distributor HD-SDI, 1 x HD-SDI Input, 4 x HD-SDI Outputs
200818	HDA-1001E	Repeater HD-SDI, 1 x HD-SDI Input, 1 x HD-SDI Output
204247	HDA-1020TRB	HD-SDI Balun, Transmitter-Receiver pair, UTP cable transmission

HDC-1004M1080

Home | Security | HDcctv / HD-SDI | Boxed

Technical drawing



Maße/Dimensions: mm

GENITECH Comptabilité

36 Rte de Montpellier · 34230 Vendémian · FR
Phone - 0811.040.048 · Telefax - 01.49.63.74.51
genitech@genitech.fr · www.genitech.fr

HDB-2080Z03IR

Home | Security | HDcctv / HD-SDI | Plug & Play

HDB-2080Z03IR
1/2.9" HDcctv Camera, WDR, Day&Night, 1920x1080,
IR-LED, 3x Auto Focus Zoom, 12/24V

Art-Nr. 204297



Main Features

1/2.9" 2.0 MP progressive scan CMOS sensor	WDR, 2&3DNR noise reduction
Resolution max. 1920 x 1080 (Full HD)	Integral motion detection
1.5G HD-SDI video transmission via coax	IP68, Built in Fan, Heater
Optical 3x auto focus zoom, 32x digital	Integral IR LED illumination
3-9mm day&night lens	4 high power LEDs 855nm
Removeable infrared cut filter	Easy installation, central locking screw

Specifications

Series	eneo Candid Medium
System	True Day&Night
Sensor size	1/2.9"
Imager	CMOS, Sony Exmor
Active picture elements	1936(H) x 1097(V)
Signal-to-noise ratio	-50 db
Resolution	1920x1080 (16:9), 1280x720 (16:9)
Frame rate	1080 @ 25/30p, 720 @ 50/60p
Sensitivity	0,5 Lux, (Colour) 0,1Lux (SW)
Exposure modes	automatic, manual, iris priority, shutter priority
Automatic electronic shutter (ESC)	1/25~1/60000sec.
Manual electronic shutter (MES)	1/25~1/60000sec.
Low speed shutter	yes, 2x ~8x

HDB-2080Z03IR

(Continuation Specifications)

Digital Noise Reduction (DNR)	yes, 3D- DNR
Flickerless function	yes
Mirror function	V flip, H-flip, H/V flip
White balance	ATW, ATW extended, one push, manual
Backlight compensation	BLC, HLC
Wide Dynamic Range (WDR)	WDR, D-WDR
IR cut filter	switchable
Video outputs	HD-SDI (BNC) SMPTE 292M standard, composite control out
Lens type	auto focus zoom
Focal length	3 mm - 9 mm
Aperture range (F)	F1.2~F2.1
e-PTZ support	no
Digital zoom	2x ~32x
Horizontal angle of view	71,57° - 27,02°
MOD (Minimum object distance)	1 m
Filter screw size	not available
Illumination	infrared, 4x High Power LEDs 855nm, 53°
Illumination range	approx. 50m
Menu languages	English, Japanese, German, French, Italian, Spanish, Polish
OSD function control	AGC, motion detection, DNR, shutter control, H/V flip (mirror picture), Rotation, day&night, privacy zones, white balance
Text display	camera title
Activity detection	yes
Motion detector	4 zones, ON/OFF switchable
Privacy zones masking	32 zones masking
Serial interfaces	RS-485
Serial interfaces protocols	Pelco D, Pelco P, Visca
External adjustments	menu
External connections	RS-485, voltage input, HD-SDI BNC output
Mounting	wall mount, ceiling mount
Temperature range (operation)	-30°C ~+50°C
Housing material	aluminium
Housing	outdoor, bullet
Integrated wall mount	yes
Hidden cable management	yes
Sunshield	yes
Window heater	yes
Colour (housing)	Pantone 7541
Vandalism resistant	no
Protection rating	IP68

HDB-2080Z03IR

(Continuation Specifications)

Alarm inputs	no
Alarm outputs	no
Supply voltage	12VDC, 24VAC, (+/-15%) 50Hz
Power consumption	10W
Dimensions (HxWxD)	100x107,8x277mm
Weight	1.35kg
Parts supplied	manual, screw set, allen key, mounting plate, Video sub-out cable
Special features	SRIC [®] (Signal Related IR Control), Built-in pressure valve
Certificates	CE

Optional accessories

202888	AK-4	Camera junction box, for Candid Small ,Candid Medium, Candid Large Series
203658	VT-PS12DC-11	Plug-in Power Supply Unit, 100-240VAC/12VDC (1.0A), Regulated, with DC Plug
200836	HDA-1002EC	Extender/Converter 1 x HD-SDI Input, 1 x HD-SDI Output, 1 x HDMI Output
202641	PM-42A	Pole mount adaptor for eneo Candid, Candid S, Candid M Candid L, W3, WB1 wall mount
204246	HDA-1010TRE	HD-SDI Extender, Transmitter-Receiver Pair, Coaxial Cable Transmission
200817	HDA-1004D	Distributor HD-SDI, 1 x HD-SDI Input, 4 x HD-SDI Outputs
200818	HDA-1001E	Repeater HD-SDI, 1 x HD-SDI Input, 1 x HD-SDI Output
70527	NE-132/AC24V	Power Supply Unit 230VAC/24VAC (1.0A)
204247	HDA-1020TRB	HD-SDI Balun, Transmitter-Receiver pair, UTP cable transmission

GENITECH Comptabilité

36 Rte de Montpellier · 34230 Vendémian · FR
Phone - 0811.040.048 · Telefax - 01.49.63.74.51
genitech@genitech.fr · — www.genitech.fr



HDB-2000MIR1080

Home | Security | HDcctv / HD-SDI | Plug & Play

HDB-2000MIR1080
1/3" HDcctv Camera, Day&Nig 1920x1080, 2.8-10mm,
3D-DNR, IR-LED, RS-485, 12VDC/24AC

Art-Nr. 200811



Main Features

1/3" 2.0 megapixels progressive scan CMOS sensor
Resolution max. 1920 x 1080 (HD 1080p)
1.5G HD-SDI video transmission via coax cable
Removeable infrared cut filter (ICR)
D-WDR (Wide Dynamic Range)
Integral motion detection

Wall or ceiling mount, hidden cable routing
Integral IR LED illumination (40 LEDs 850nm)
IP68, zoom and fokus externally adjustable
Electronic focussing aid
Easy installation, central locking screw

Specifications

Series	eneo Candid Medium
System	True Day&Night
Sensor size	1/3"
Imager	CMOS, Panasonic Progressive Scan CMOS imager
Active picture elements	1944(H) x 1092(V)
Signal-to-noise ratio	-50 db
Resolution	1920x1080 (16:9), 1280x720 (16:9)
Frame rate	1080 @ 25/30p, 720 @ 50/60p
Sensitivity	0,17 Lux, (colour), 0.002Lux (B&W) at F1.2 AGC 32x, 50 IRE
Exposure modes	automatic, shutter priority
Automatic electronic shutter (ESC)	1/25~1/50000 Sek.
Low speed shutter	yes, 2x ~4x
Automatic gain control (AGC)	OFF / Low / High selectable

HDB-2000MIR1080

(Continuation Specifications)

Digital Noise Reduction (DNR)	yes, 3D- DNR
Mirror function	V flip, flip, rotation
White balance	ATW, outdoor, AWC (Hold), manual
Backlight compensation	BLC, HS BLC (eclipser)
Wide Dynamic Range (WDR)	D-WDR
IR cut filter	switchable
Video outputs	HD-SDI, composite control out, HD-SDI (BNC) SMPTE 292M standard
Lens type	varifocal
Focal length	2,8 mm - 10 mm
Aperture range (F)	F1.2
e-PTZ support	no
Digital zoom	2 ~64x
Horizontal angle of view	81,2° - 27°
MOD (Minimum object distance)	0,5 m
Filter screw size	not available
Illumination	infrared, 30x IR-LEDs 850nm, 60°
Illumination range	approx. 50m
Menu languages	English, German, French, Italian, Spanish, Polish, Japanese, Chinese
OSD function control	AGC, motion detection, DNR, brightness, sharpness, shutter control, H/V flip (mirror picture), Rotation, day&night, privacy zones, white balance
Text display	camera title
Activity detection	yes
Motion detector	3 zones, ON/OFF switchable
Serial interfaces	RS-485
Serial interfaces protocols	Pelco D
External adjustments	menu
External connections	RS-485, voltage input, HD-SDI BNC output
Mounting	wall mount, ceiling mount
Temperature range (operation)	-50°C ~+50°C
Housing material	aluminium
Housing	outdoor, bullet
Integrated wall mount	yes
Hidden cable management	yes
Sunshield	yes
Window heater	yes
Colour (housing)	Pantone 7541
Vandalism resistant	no
Protection rating	IP68
Alarm inputs	no

HDB-2000MIR1080

(Continuation Specifications)

Alarm outputs	no
Supply voltage	12VDC, 24VAC, (+/-15%) 50Hz
Power consumption	10W
Dimensions (HxWxD)	100x107,8x277mm
Weight	1.35kg
Parts supplied	manual, screw set, allen key, mounting plate, Video sub-out cable
Special features	Exact focus setting aid, Focus and zoom adjustable from the outside, SRIC [®] (Signal Related IR Control), Built-in pressure valve
Certificates	CE

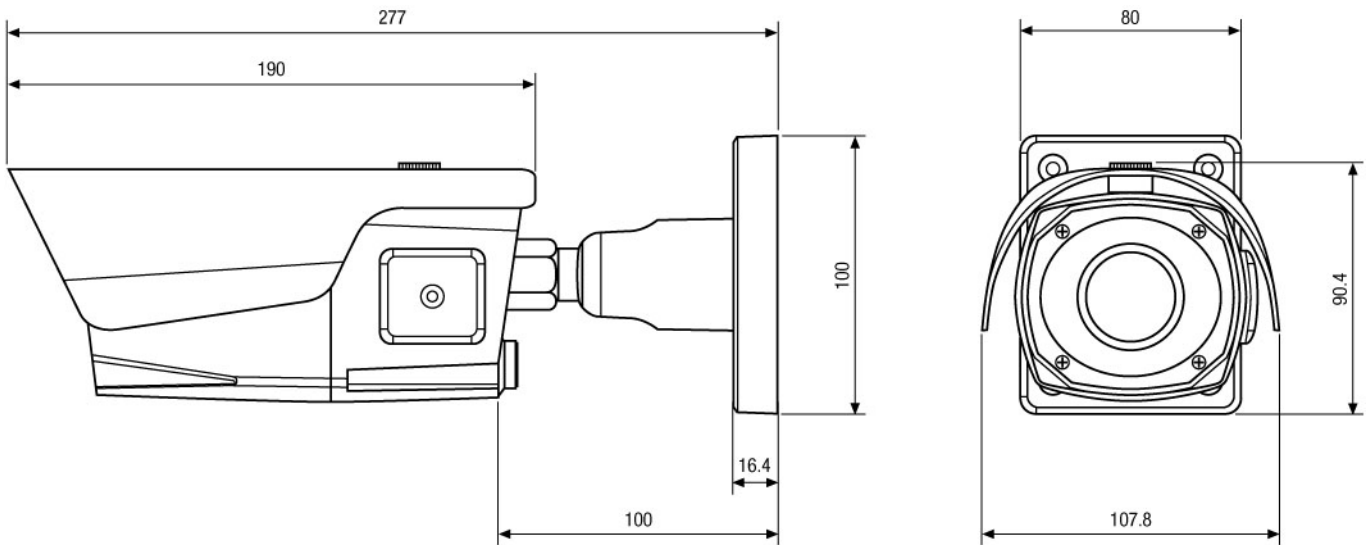
Optional accessories

202888	AK-4	Camera junction box, for Candid Small ,Candid Medium, Candid Large Series
203658	VT-PS12DC-11	Plug-in Power Supply Unit, 100-240VAC/12VDC (1.0A), Regulated, with DC Plug
200836	HDA-1002EC	Extender/Converter 1 x HD-SDI Input, 1 x HD-SDI Output, 1 x HDMI Output
202641	PM-42A	Pole mount adaptor for eneo Candid, Candid S, Candid M Candid L, W3, WB1 wall mount
204246	HDA-1010TRE	HD-SDI Extender, Transmitter-Receiver Pair, Coaxial Cable Transmission
200817	HDA-1004D	Distributor HD-SDI, 1 x HD-SDI Input, 4 x HD-SDI Outputs
200818	HDA-1001E	Repeater HD-SDI, 1 x HD-SDI Input, 1 x HD-SDI Output
70527	NE-132/AC24V	Power Supply Unit 230VAC/24VAC (1.0A)
204247	HDA-1020TRB	HD-SDI Balun, Transmitter-Receiver pair, UTP cable transmission

HDB-2000MIR1080

Home | Security | HDcctv / HD-SDI | Plug & Play

Technical drawing



Maße/Dimensions: mm

GENITECH Comptabilité

36 Rte de Montpellier · 34230 Vendémian · FR
Phone - 0811.040.048 · Telefax - 01.49.63.74.51
genitech@genitech.fr · — www.genitech.fr

HDB-1080Z03IR

Home | Security | HDcctv / HD-SDI | Plug & Play

HDB-1080Z03IR

1/2.9" HDcctv Camera, WDR, Day&Night, 1920x1080,

IR-LED, 3x Auto Focus Zoom, 12/24V

Art-Nr. 204829



Main Features

1/2.9" 2.0 MP progressive scan CMOS sensor
Resolution max. 1920 x 1080 (Full HD)
1.5G HD-SDI video transmission via coax
Optical 3x auto focus zoom, 32x digital
3-9mm day&night lens
Removeable infrared cut filter

WDR, 2&3DNR noise reduction
Integral motion detection
IP67, built in fan, heater
IR LED illumination (28 LEDs 850nm)
Easy installation
Central locking screw

Specifications

Series	eneo Candid Small
System	True Day&Night
Sensor size	1/2.9"
Imager	CMOS, Sony Exmor
Active picture elements	1936(H) x 1097(V)
Signal-to-noise ratio	-50 db
Resolution	1920x1080 (16:9), 1280x720 (16:9)
Frame rate	1080 @ 25/30p, 720 @ 50/60p
Sensitivity	0,5 Lux, (Colour) 0,1Lux (SW)
Exposure modes	automatic, manual, iris priority, shutter priority
Automatic electronic shutter (ESC)	1/25~1/60000sec.
Manual electronic shutter (MES)	1/25~1/60000sec.
Low speed shutter	yes, 2x ~8x

HDB-1080Z03IR

(Continuation Specifications)

Digital Noise Reduction (DNR)	yes, 3D- DNR
Flickerless function	yes
Mirror function	V flip, H-flip, H/V flip
White balance	ATW, ATW extended, one push, manual
Backlight compensation	BLC, HLC
Wide Dynamic Range (WDR)	WDR, D-WDR
IR cut filter	switchable
Video outputs	HD-SDI (BNC) SMPTE 292M standard, composite control out
Lens type	auto focus zoom
Focal length	3 mm - 9 mm
Aperture range (F)	F1.2~F2.1
e-PTZ support	no
Digital zoom	2x ~32x
Horizontal angle of view	71,57° - 27,02°
MOD (Minimum object distance)	1 m
Filter screw size	not available
Illumination	infrared, 28x LED 850nm, 60°
Illumination range	approx. 25m
Menu languages	English, Japanese, German, French, Italian, Spanish, Polish
OSD function control	AGC, motion detection, DNR, shutter control, day&night, privacy zones, white balance
Text display	camera title
Activity detection	yes
Privacy zones masking	ON/OFF switchable
Serial interfaces	RS-485
Serial interfaces protocols	Pelco D, Pelco P, Visca
External adjustments	menu
External connections	RS-485, voltage input, HD-SDI BNC output
Mounting	wall mount, ceiling mount
Temperature range (operation)	-30°C ~+50°C
	-20°C ~+50°C
Housing material	aluminium
Housing	outdoor, bullet
Integrated wall mount	yes
Hidden cable management	yes
Sunshield	no
Window heater	yes
Colour (housing)	Pantone 7541
Vandalism resistant	no
Protection rating	IP67

HDB-1080Z03IR

(Continuation Specifications)

Alarm inputs	no
Alarm outputs	no
Supply voltage	12VDC, 24VAC, (+/-15%) 50Hz
Power consumption	10.5W
Dimensions (HxWxD)	76x70x218
Weight	0,94kg
Parts supplied	manual, screw set, Video sub-out cable, mounting plate, allen key
Remarks	IR illumination ON / OFF switchable(mechanical switch), Operating temperature range of the camera changes when IR illumination is switched OFF
Special features	SRIC [®] (Signal Related IR Control), Built-in pressure valve
Certificates	CE

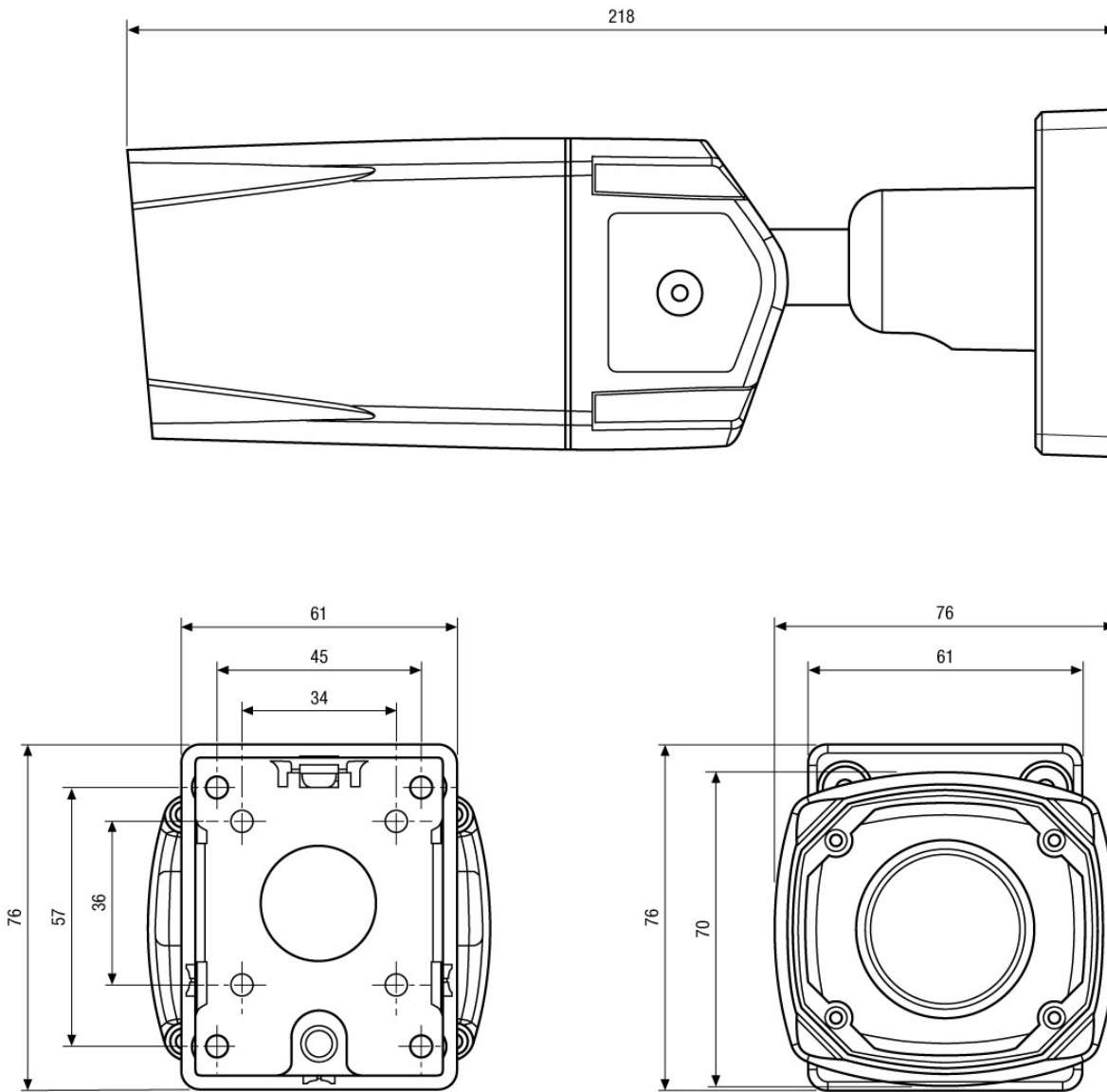
Optional accessories

202888	AK-4	Camera junction box, for Candid Small ,Candid Medium, Candid Large Series
203658	VT-PS12DC-11	Plug-in Power Supply Unit, 100-240VAC/12VDC (1.0A), Regulated, with DC Plug
200836	HDA-1002EC	Extender/Converter 1 x HD-SDI Input, 1 x HD-SDI Output, 1 x HDMI Output
202641	PM-42A	Pole mount adaptor for eneo Candid, Candid S, Candid M Candid L, W3, WB1 wall mount
204246	HDA-1010TRE	HD-SDI Extender, Transmitter-Receiver Pair, Coaxial Cable Transmission
200817	HDA-1004D	Distributor HD-SDI, 1 x HD-SDI Input, 4 x HD-SDI Outputs
200818	HDA-1001E	Repeater HD-SDI, 1 x HD-SDI Input, 1 x HD-SDI Output
70527	NE-132/AC24V	Power Supply Unit 230VAC/24VAC (1.0A)
204247	HDA-1020TRB	HD-SDI Balun, Transmitter-Receiver pair, UTP cable transmission

HDB-1080Z03IR

Home | Security | HDcctv / HD-SDI | Plug & Play

Technical drawing



Maße/Dimensions: mm

GENITECH Comptabilité

36 Rte de Montpellier · 34230 Vendémian · FR
Phone - 0811.040.048 · Telefax - 01.49.63.74.51
genitech@genitech.fr · www.genitech.fr

GENITECH