

HDC-108M1080



2MP 10x AF HD-SDI Box Camera

HD-SDI
EX-SDI

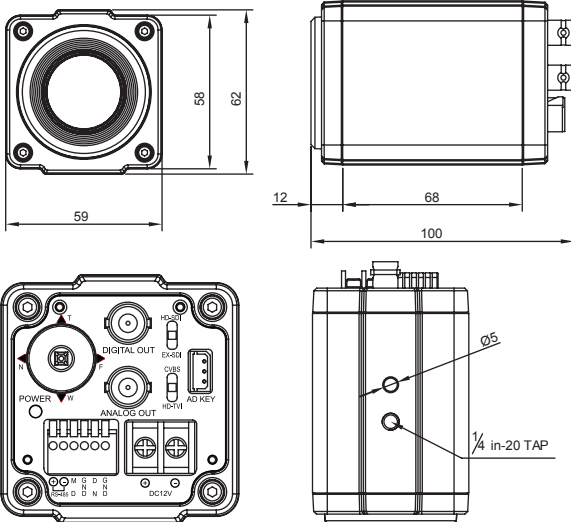


Features

- 1/3" 2MP Panasonic CMOS sensor
- HD-SDI, EX-SDI, TVI, CVBS
- 10x Optical Zoom(5.1~51mm) & 32x Digital Zoom
- Real-time True WDR
- Digital Noise Reduction(2D+3D)
- Digital Slow Shutter
- Digital Image Stabilization
- Privacy Mask Function
- High Light Compensation
- Defog Function
- ACE(Digital WDR)
- Motion Detection
- Protocol(VISCA, Pelco-D, Pelco-P)

Dimensions

Unit : mm



MODEL	HDC-108M1080
-------	--------------

CAMERA		
Image Sensor	1/3" Panasonic CMOS Sensor	
Total Pixels	1956 (H) x 1266 (V) = 2.48M Pixels	
Active Pixels	1944 (H) x 1092 (V) = 2.12M Pixels	
Video Format	1080p@60/50fps, 1080p@30/25fps, 720p@60/50fps, 720p@30/25fps	
Min. Illumination	Color	0.5 lux / DSS 0.125 lux
	BW	0.1lux / DSS 0.025 lux
S/N Ratio	more than 50dB (AGC off)	
Video Output	HD-SDI, EX-SDI, TVI, CVBS	

LENS		10x		
Lens Type	10x Day & Night Zoom Lens			
Zoom Ratio	Optical 10x, Digital 32x Zoom			
Focal Length	f = 5.1mm ~ 51mm			
Aperture Ratio	F1.6 (wide) ~ F1.8 (tele)			
Angle Of View (D, H, V)	WIDE	68°	54°	31°
	TELE	6.7°	4.9°	4.0°

CAMERA FUNCTIONS	
Camera Title	ID / Title / Zoom Ratio / System Message
Day & Night	Auto / Day / Night / Ext-in
WDR/BLC	Off / WDR / BLC / HLC
ACE	Off / Low / Middle / High
DNR	Auto / Off / Low / Middle / High
Defog	Off / On(Auto / Manual)
Image Stabilization	Off / On
Motion Detection	Off / On (3 positions)
Privacy Mask	Off / On (24 positions)
Digital Slow Shutter	Off /x2 /x4
Gain Control	Off / On
White Balance	Auto / One Push / Manual / Indoor / Outdoor
Shutter Speed	1/30(25) ~ 1/30,000 sec
E.Zoom	Off / x2 ~ x32
Digital Flip	Off / H / V / H&V

GENERAL	
Power Source	DC12V±10%
Power Consumption	Max 500mA
Operating Temperature	-10°C ~ +50°C / 0% ~ 90% RH
Dimensions	59(W) x 62(H) x 100(D) mm
Weight	0.36Kg