

HDC-2220M1080

Home | Security | HDcctv / HD-SDI | Plug & Play

HDC-2220M1080
1/3" HD-SDI Camera, Day&Night, 1920x1080, WDR,
20 x Zoom, 12VDC

Art-Nr. 202435



Main Features

1/3" 2.2 megapixels Progressive Scan CMOS	WDR (Wide Dynamic Range)
Resolution max. 1920 x 1080 (HD 1080p)	DNR 2D+3D (digitale noise reduction)
1.5G HD-SDI video transmission via coax cable	20x motorzoom lens 4.7-94mm
HD-SDI, HDMI and analog-video output	Privacy zones
Removeable infrared cut filter (ICR)	Plug and Play

Specifications

Series	eneo HDcctv
System	day&night
Sensor size	1/3"
Imager	CMOS, Panasonic Progressive Scan CMOS imager
Active picture elements	1944(H) x 1092(V)
Synchronization	internal
Signal-to-noise ratio	-50 db
Resolution	1920x1080 (16:9), 1280x720 (16:9)
Frame rate	1080 @ 25/30p, 720 @ 50/60p
Sensitivity (at 50% video signal)	1,0 Lux, 0.5Lux(b&w)
Exposure modes	iris priority, shutter priority, manual, automatic
Automatic electronic shutter (ESC)	1/25~1/60000sec.
Manual electronic shutter (MES)	1/25~1/60000sec.
Low speed shutter	yes, 2x ~4x

HDC-2220M1080

(Continuation Specifications)

Automatic gain control (AGC)	yes
Digital Noise Reduction (DNR)	yes, 2D & 3D
Flickerless function	ON/OFF switchable
Mirror function	V flip, H-flip, H/V flip
White balance	AWB, automatic, indoor, outdoor, one push, manual
Backlight compensation	BLC, HLC, ON/OFF switchable
Wide Dynamic Range (WDR)	WDR
Brightness	adjustment range: 1 ~10
Sharpness correction	adjustment range: 1 ~10
IR cut filter	switchable
Internal adjustments	jostick menu access
Video outputs	HD-SDI, HDMI, composite (CVBS)
Lens type	zoom
Focal length	4,7 mm - 94 mm
Aperture range (F)	F1,6~F3,5
e-PTZ support	no
Digital zoom	2x ~32x
Horizontal angle of view	54,2° - 3°
Iris control	DC
Focus control	automatic and manual
MOD (Minimum object distance)	0,5 m
Filter screw size	n/a
Illumination	no
Menu languages	English
OSD function control	BLC/HLC, AWB, motion detection, freeze, day&night, resolution, WDR, DNR, shutter control, privacy zones, white pixel correction, flickerless fuction
Activity detection	yes
Motion detector	4 zones, ON/OFF switchable
Privacy zones masking	32 zones masking
Serial interfaces	RS-485
Serial interfaces protocols	Pelco D, Pelco P, Visca
External adjustments	menu
External connections	voltage input, AD key, video (BNC), HD-SDI BNC output, alarm output, external day&night switching
Kind of mounting	1/4-20 mounting bolt
Temperature range (operation)	-10°C ~+50°C
Housing material	metal
Housing	indoor
Integrated wall mount	no

HDC-2220M1080

(Continuation Specifications)

Hidden cable management	no
Sunshield	no
Window heater	no
Colour (housing)	silver, black
Vandalism resistant	no
Protection rating	n/a
Alarm inputs	no
Alarm outputs	1x TTL open collector output
Supply voltage	12VDC, 12VDC (+/-10%)
Power consumption	approx. 6W
Dimensions (HxWxD)	70x67x128
Weight	570g
Parts supplied	manual
Certificates	CE

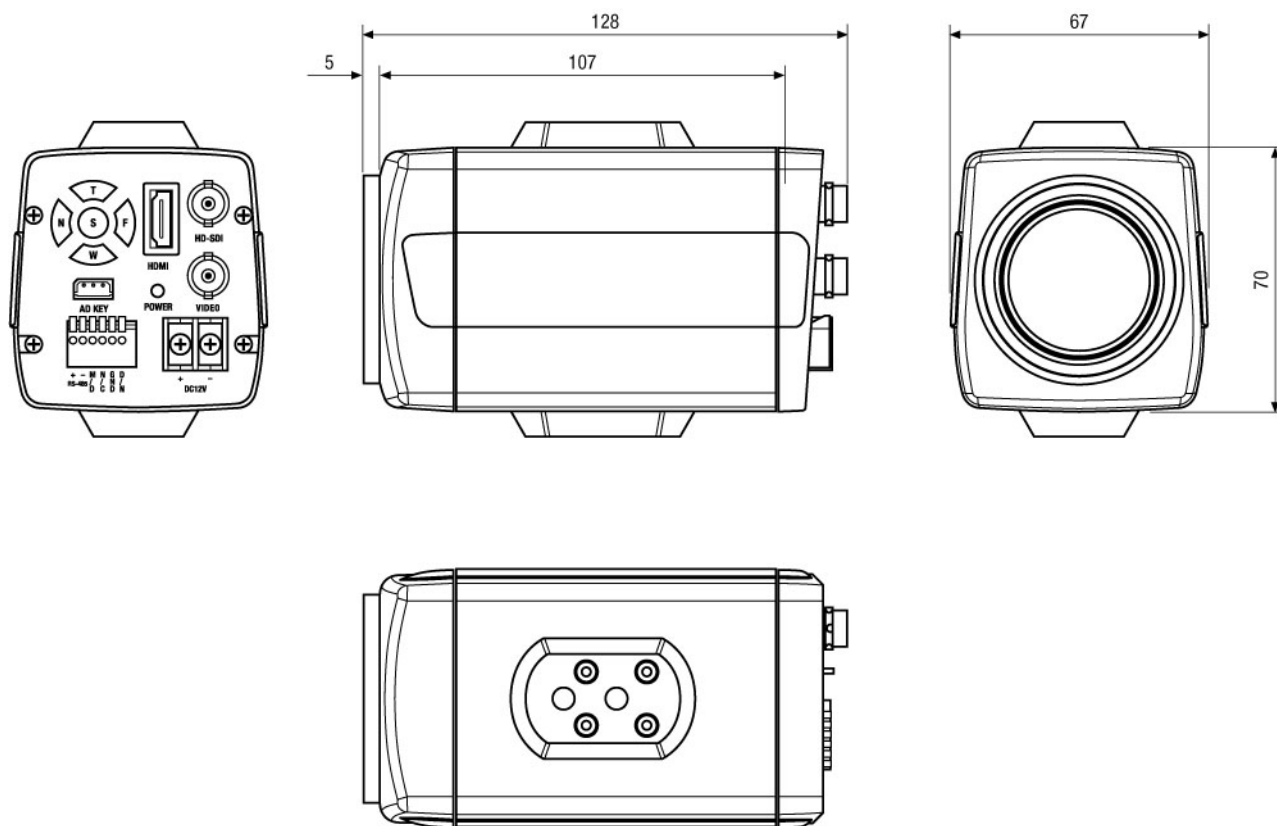
Optional accessories

70771	WD-23	Wall Mount Bracket with Ball Joint, 1/4" Camera Fixing Screw, Pantone 877
203658	VT-PS12DC-11	Plug-in Power Supply Unit, 100-240VAC/12VDC (1.0A), Regulated, with DC Plug

HDC-2220M1080

Home | Security | HDcctv / HD-SDI | Plug & Play

Technical drawing



Maße/Dimensions: mm

GENITECH Comptabilité

36 Rte de Montpellier · 34230 Vendémian · FR
Phone - 01.49.63.74.41 · Telefax - 01.49.63.74.51
genitech@genitech.fr · www.genitech.fr