

HDC-365M1080GS



2MP 36x Zoom Global Shutter Zoom Box Camera

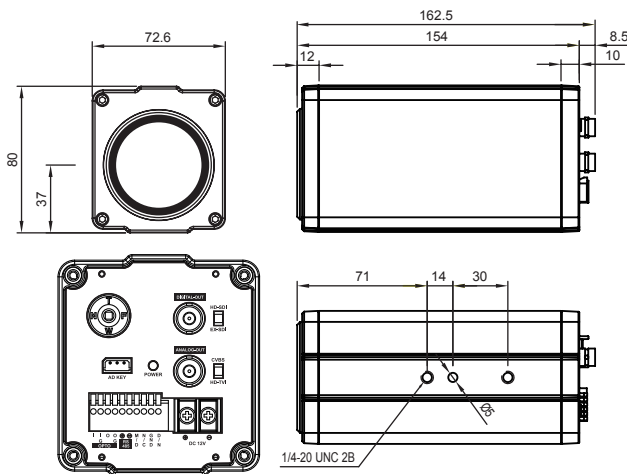


Features

- 1/2.3" 2MP Sony Global Shutter CMOS Image Sensor
- HD-SDI, EX-SDI Video Output (Up to 1080p)
- Camera setup by OSD Menu
- Built-in 36x lens supporting Day & Night (6.0mm ~ 216.0mm)
- Supports External trigger input and Strobe output
- Digital Slow Shutter
- Digital Noise Remove (2D+3D)
- Digital Image Stabilizer
- Defog Function

Dimensions

Unit : mm



MODEL		HDC-365M1080GS		
CAMERA				
Image Sensor	1/2.3" Sony Global Shutter CMOS Sensor			
Total Pixels	1936(H) x 1226(V) = 2.37M pixels			
Active Pixels	1936(H) x 1216(V) = 2.35M pixels			
Video Format	1080p@60/50fps, 1080p@30/25fps, 720p@60/50fps, 720p@30/25fps			
Min. Illumination	Color	0.3 lux / DSS 0.06 lux		
	BW	0.01lux / DSS 0.002 lux		
S/N Ratio	more than 50dB (AGC off)			
Video Output	HD-SDI, EX-SDI, TVI, CVBS			
LENS		36x		
Lens Type	36x Day & Night Zoom Lens			
Zoom Ratio	Optical 36x, Digital 32x Zoom			
Focal Length	f = 6.0 mm ~ 216.0 mm			
Aperture Ratio	F1.5 (wide) ~ F4.8 (tele)			
Angle Of View (D, H, V)	WIDE	59.13°	52.62°	31.08°
	TELE	2.24°	1.95°	1.10°
CAMERA FUNCTIONS				
Camera Title	ID / Title / Zoom Ratio / System Message			
Day & Night	Auto / Day / Night / Ext-in			
BLC	Off / BLC / HLC			
ACE	0 ~ 20 steps			
DNR	Auto / Off / Low / Middle / High			
Defog	Off / Manual / Auto			
Image Stabilization	Off / On			
Motion Detection	Off / On (3 positions)			
Privacy Mask	Off / On (8 points)			
Digital Slow Shutter	Off / 2x / 4x / 8x / 16x / 32x (/64x : 60 or 50fps mode only)			
Gain Control	0 ~ 10 steps			
White Balance	Auto / One Push / Manual / Indoor / Outdoor			
Shutter Speed	1/1 ~ 1/20,000 sec			
E.Zoom	Off / MAX 2x ~ 32x			
Digital Flip	Off / H / V / H&V			
GENERAL				
Power Source	DC12V±10%			
Power Consumption	Max 550mA			
Operating Temperature	-10°C ~ +50°C / 0% ~ 90% RH			
Dimensions	72.6(W) x 80(H) x 162.5(D) mm			
Weight	0.82Kg (TBD)			