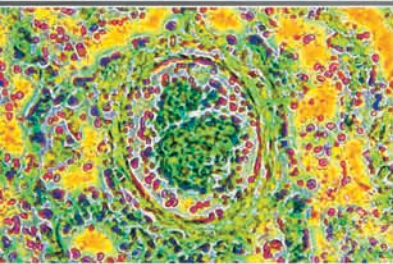


IK-HR1D

ULTRA COMPACT 1080p/60 FPS
CMOS HD CAMERA



Features

- Ultra compact (approx 1.75" x 1.75" x 3") one-piece system
- Outputs full 1920 x 1080 pixels at 60 frames per second
- Output selectable between 1080p and 1080i
- Utilizes 1/3" CMOS 2.1 megapixel sensor
- On-screen menu
- Weighs only 4.3 oz. (without lens)
- Digital DVI and Analog RGB interface
- Auto and manual white balance
- Auto and manual electronic shutter
- C-mount lens adaptable

Applications

- Specialty broadcast
 - head-cam, news-copter, sports, reality TV
- Scientific imaging /diagnostics
- Homeland security

True 1080p One-Piece CMOS High Definition Camera.

Toshiba's revolutionary new IK-HR1D CMOS-based hi-def color camera delivers true progressive scan imagery – from a compact, one-piece camera body. It is ideal for imaging objects in motion, with little or no motion artifacts. Get incredibly sharp detail in a convenient, flexible system. Let Toshiba bring your project to HD life.

TOSHIBA
Leading Innovation >>>

IK-HR1D TRUE 1080p Hi-Def CAMERA

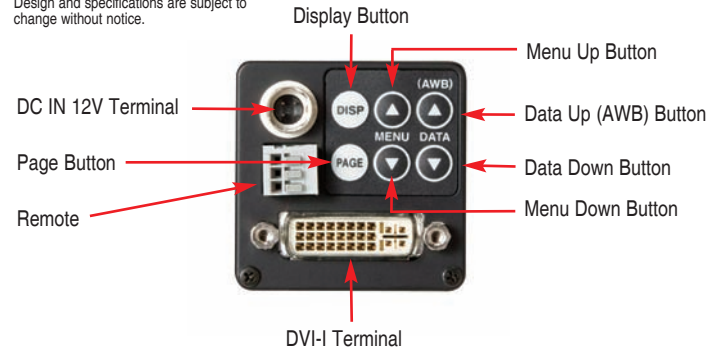
PERFORMANCE SPECIFICATIONS

Power Requirements	12 VDC ± 10% DCIN connector (4pin)
Power Consumption	Approx. 4 watts
Image Sensor	1/3" progressive scan color CMOS
Output Pixels	Horizontal: 1920, Vertical: 1080
Scanning System Sync / Freq	Progressive (1080p)/Interlace (1080i) Switchable [Progressive (1080p)] - H:67.43kHz, V:59.94Hz [Interlace (1080i)] - H:33.71kHz, V:59.94Hz
Video Signal Output	Digital output (DVI-I connector output) 8bit X RGB Analog output (DVI-I connector output)
Sync. Signal Output	Analog output (DVI-I connector output) H: 5V + 0.5V/-1.0V (p) V: 5V + 0.5V/-1.0V (p)
Dimensions	1.75" x 1.75" x 3.0625"
Weight	4.3 oz.
Operating Temperature	0°C to + 40°C
Storage Temperature	-20°C to + 60°C
Humidity	90% or less (non-condensing)

SPECIFICATION - FEATURES

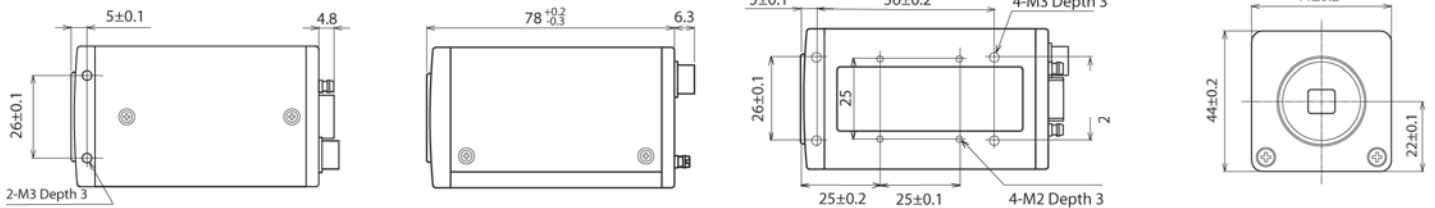
Shutter	Manual – Off (1/60s), 1/00s, 1/250s, 1/500s, 1/1000s, 1/2000s, 1/4000s, 1/8000s, 1/16000s, 1/32000s Auto – Level in range of -100 to 100 Synchronized Scan – Set by horizontal scanning time
Gamma	OFF / MANUAL : 0-12dB 1dB/step
White Balance	AWB (Automatic White Balance) ATW (Automatic Tracking White Balance) Manual (Manually Adjustable)
Scene File Setting	5 Files A/B/C/D/E
Remote Control	RS-232C: Baud rate 9600bps/19200bps

Design and specifications are subject to change without notice.



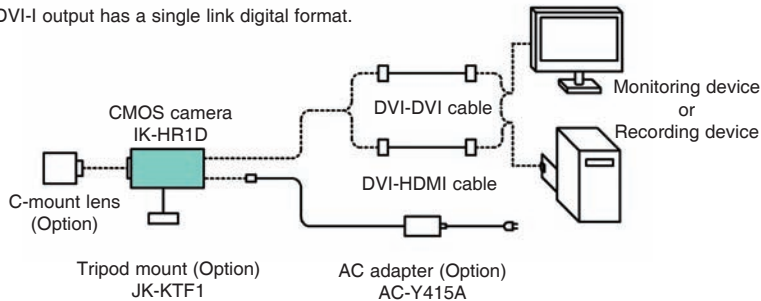
DIMENSIONS

Measurements in Millimeters



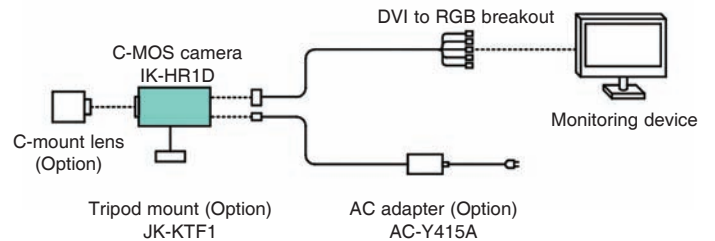
CONNECTIONS FOR DIGITAL MONITORING/RECORDING

DVI-I output has a single link digital format.



CONNECTIONS FOR ANALOG MONITORING

DVI-I output has an analog RGB output.



TOSHIBA
Leading Innovation >>>

Toshiba Europe GmbH
Industrial Systems Systems
Chriesbaumstrasse 4 - 8604 Volketswil
+41 (0)44 908 56 30 • www.toshiba.ch/ics