

# MB-S18-USB

USB 3.1 Gen 1 Interface

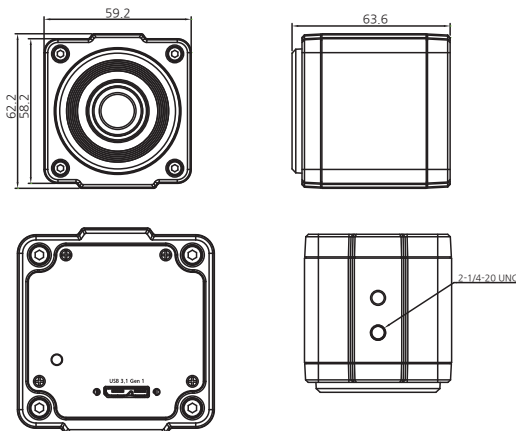


## Features

- USB 3.1 Gen 1 Interface
- Ultra High Sensitivity 1/2" 2MP CMOS Image Sensor
- Wide-angle Fixed focus Lens (f=4.0mm)
- Full HD Video Output up to 1080p60
- Uncompressed & lossless video transmission
- Supports Video transmission, camera power supply and serial communication with one USB cable

## Dimensions

Unit : mm



MODEL		MB-S18-USB
<b>CAMERA</b>		
Image Sensor	1/1.9" Sony IMX185 CMOS Sensor	
Total Pixels	1952 (H) x 1241 (V) = 2.42M pixels	
Active Pixels	1937 (H) x 1097 (V) = 2.12M pixels	
Video Format	1080p/60(50)fps, 1080p/30(25)fps, 720p/60(50)fps, 720p/30(25)fps	
Min. Illumination	Color	0.2 lux / DSS(1/7.5s) 0.05 lux
	BW	0.003 lux / DSS(1/7.5s) 0.0007 lux
S/N Ratio	more than 50dB (AGC off)	
Video Output	USB 3.1 Gen 1	
<b>LENS</b>		
Lens Type	Fixed lens 1/2"	
Focal Length	f = 4.0mm	
Aperture Ratio	F=1.8 ± 5%	
Angle of View (D, H, V)	131°, 111°, 59° ± 5%	
<b>CAMERA FUNCTIONS</b>		
Camera Title	ID / Title / Zoom Ratio / System Message	
Day & Night	Auto / Day / Night / Ext	
WDR/BLC	Off / WDR / BLC	
ACE	Off / Low / Middle / High	
DNR	Off / Low / Middle / High / Auto	
Defog	Off / On (Auto / Manual)	
HLC	Off / On / Night only	
Motion Detection	Off / On (3 points)	
Privacy Mask	Off / On (24 points)	
Digital Slow Shutter	Off / x2 / x4 / (x8 : 60 or 50 fps mode only)	
Gain Control	Off / On	
White Balance	Auto / One Push / Manual / Indoor / Outdoor	
Shutter Speed	Auto / Manual ( 1/30(1/25) ~ 1/30000 )	
E.Zoom	x2 ~ x32	
Digital Flip	Off / H / V / H&V	
<b>GENERAL</b>		
Power Source	DC5V±10% (from USB 3.1 port)	
Power Consumption	800mA	
Operating Temperature	-10°C ~ +50°C / 0% ~ 90% RH	
Dimensions	59.2(W) x 62.2(H) x 63.6(D) mm	
Weight	0.23Kg	

