

# SC-IPC07P

Network + PoE

SC-IPC07P is a 1CH EoC (Ethernet over Coax.) transmission unit which consists of SC-IPT07P (transmitter) and SC-IPR07P (receiver). By using existing coaxial cable, this product transmits power of transmitter and IP camera over 1 coaxial cable, and receives IP camera data and transmit it to NVR. This enables to shorten construction period and reduce installation cost.

## Features

- Transmit power and Network Data over one coaxial cable
- Long distance Network Data transmission (RG-6)
  - 100Mbps : Max. 500m
  - 10Mbps : Max. 1km
- Built-in 10/100Mbps switch for optimizing transmission bandwidth by distance
- Auto diagnosis function for stable power supply
- PoE ON/OFF Switch mounted on the transmitter
- Cost-effective solution by using existing coaxial cable line
- Lower installation cost and reduce construction period by eliminating the need to lay power lines with PoC function
- Compact size for easy handling (bracket for fixing provided)
- MULTICAST supported
- Built-in surge protection circuit



NEW

[ SC-IPT07P ]



[ Bracket for fixing Tx/Rx ]



[ SC-IPR07P ]



[ DC48V Adapter ]



## Specifications

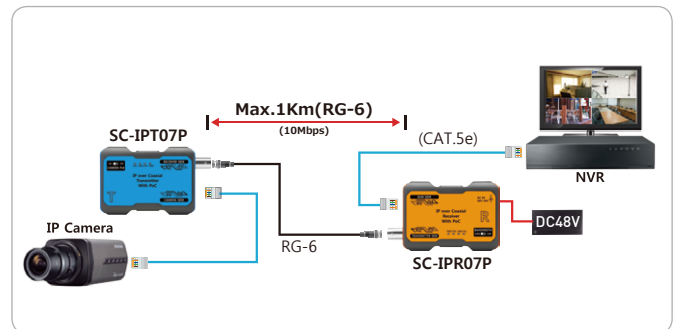
MODEL	SC-IPT07P
Digital Transmission Bandwidth (Max.)	TCP Rate : 100Mbps(SC-IPR07P 100Mbps Mode)
Power Consumption (Max.)	2W
Power Output	Midspan PoE
Max. Power Supply	30W
Transmission Distance (RG-6)	500m(100Mbps), 1Km(10Mbps)
Temperature / Humidity	-10°C ~ +50°C / 0 ~ 80%
Connection Port	RJ-45 X 1 / BNC-F X 1
Case Material / Weight	ABS / 60g
Dimensions (mm)	90(W) x 55(H) x 24(D)
MODEL	SC-IPR07P
Digital Transmission Bandwidth (Max.)	TCP Rate : 100Mbps(100Mbps Mode)
Power Consumption (Max.)	2W
Power Input	DC 48V~56V Adapter or PoE
Max. Power Supply	30W
Transmission Distance (RG-6)	500m(100Mbps), 1Km(10Mbps)
Temperature / Humidity	-10°C ~ +50°C / 0 ~ 80%
Connection Port	RJ-45 X 1 / BNC-F X 1
Case Material / Weight	ABS / 62g
Dimensions (mm)	90(W) x 55(H) x 24(D)

## Max. Transmission Distance by Cable Types

Bandwidth	RG-6	RG-58
100Mbps	500m	300m
10Mbps	1Km	700m

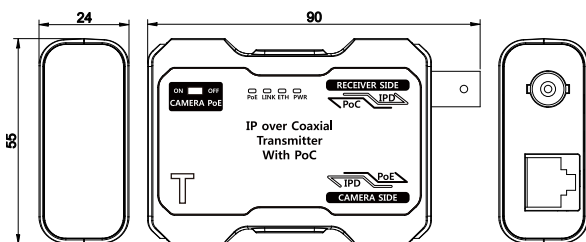
※ Bandwidth can be set from SC-IPR07P (receiver)

## Connection Diagram



## Dimensions

[ SC-IPT07P ]



[ SC-IPR07P ]

