

SC-IPC3001E SC-IPC1204EH/08EH

Network + PoE over COAX Long-distance Transmission

These items are 1CH/4CH/8CH PoE coaxial long distance transmission devices, which consists of SC-IPT3001E(1CH Tx.), SC-IPR3001E(1CH Rx.), SC-IPR1204EH(4CH Rx.) and SC-IPR1208EH(8CH Rx.). It enables supplying power to the transmitter and an IP camera for their operation from the receiver's side and transmitting Ethernet data from the camera side to the NVR side.

Features

- Transmit power and network data by one coaxial cable (~1.4Km/ RG-6)
- Max. 1.8Km over RG-6 (based on 20Mbps/ data transmission only)
- Upgrade from existing Coax analog to IP system without re-cabling
- Camera power(PoE type B) supply to an IP camera (1CH: Max. 30W, 4/8CH: Max. 12W)
- Max. bandwidth: 200Mbps (PHY rate), 75Mbps (TCP rate)
- 4CH/8CH Receivers with built-in switching HUB(SC-IPR1204EH/08EH)
 - Enable transmitting multiple channel's camera image to NVR without any external HUB
- PoE On/Off switch mounted on the transmitter for camera power supply
- Func. Button for pairing a transmitter and a receiver each other
- Easy installation and maintenance LED indicators
- Cost-effective solutions compared to high-priced optical or HUB configuration solutions
- Auto diagnosis function for stable power supply
- Auto MDI/MDIX function
- Compact size for easy installation (bracket provided for installation)
- Built-in surge protection circuit

Specifications

MODEL	SC-IPT3001E
Transmission Bandwidth (MAX)	PHY Rate 200Mbps
Power Consumption of itself	2W(MAX.)
Output Power	Midspan PoE
Max. Power Supply for Camera	30W(SC-IPR3001E)
	12W(SC-IPR1204/08EH)
Max. Transmission Distance (RG-6)	1.8Km @ Up to 20Mbps
Temperature / Humidity	-10°C ~ +50°C / 0 ~ 80%
Case body / Weight	ABS / 60g
Dimensions (mm)	90(W) x 55(H) x 24(D)

MODEL	SC-IPR3001E	SC-IPR1204EH	SC-IPR1208EH
Transmission Bandwidth (MAX)	PHY Rate 200Mbps		
Power Consumption of itself	2W(MAX.)	15W(MAX.)	30W(MAX.)
Input Power	DC 48V to 56V		
Max. Power Output	30W	12W @ Channel	
Max. Transmission Distance	1.8Km @ Up to 20Mbps		
Temperature / Humidity	-10°C ~ +50°C / 0 ~ 80%		
Connection Port	RJ-45 X 1 BNC-F X 1	RJ-45 X 2 BNC-F X 4	RJ-45 X 2 BNC-F X 8
Case body / Weight	ABS / 60g	Steel / 2kg	Steel / 4kg
Dimensions (mm)	90(W) x 55(H) x 24(D)	310(W) X 44(H) X 200(D)	430 (w) x44 (H) x350 (D)

NEW

[SC-IPT3001E]



[SC-IPR3001E]



NEW

[SC-IPR1204EH]

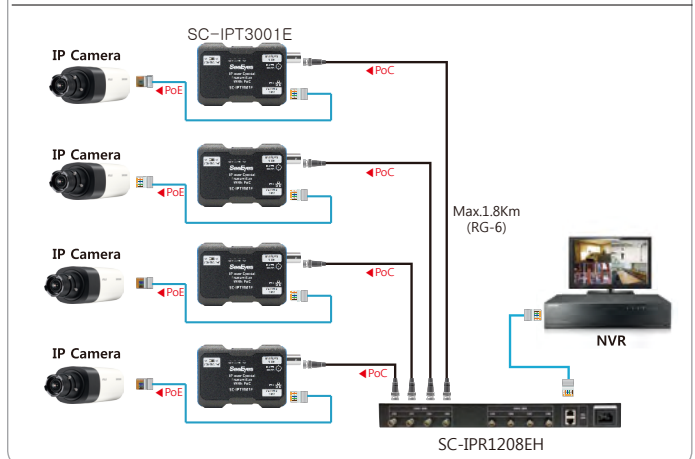
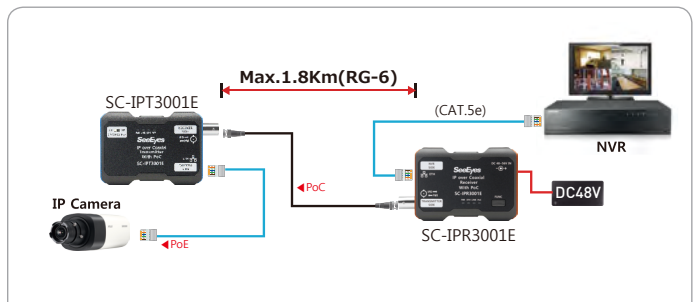


NEW

[SC-IPR1208EH]



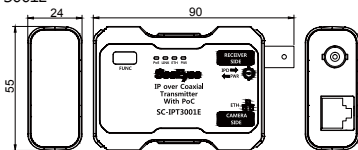
Connection Diagrams



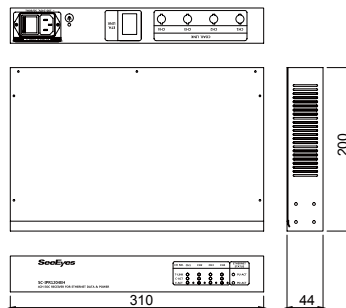
※ The transmission distance depends on bandwidth, Camera Power consumption and cable quality, etc

Dimensions

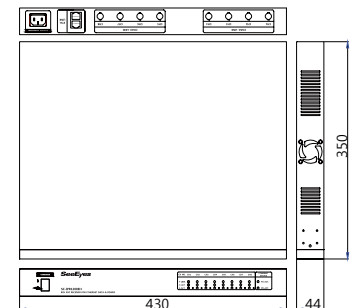
SC-IPT3001E



SC-IPR1204EH



SC-IPR1208EH



SC-IPR3001E

