

High-quality 720p HD Hybrid PTZ Camera

- IPELA HYBRID™ — Sony's IP and analog-over-coax technology*¹
- Excellent 720p HD picture quality (1280 x 720 maximum resolution), supporting H.264 at 30 fps (IP)
- Three codecs (H.264, MPEG-4, JPEG) and a dual streaming capability
- Powerful 28x optical zoom capability

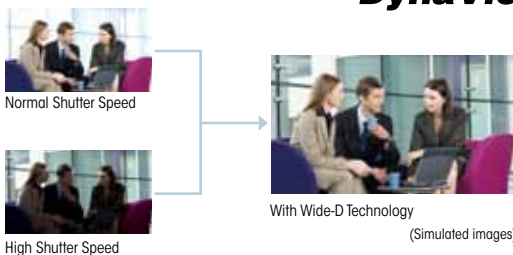


KEY FEATURES

- Simultaneous transmission of IP HD video and analog SD video*²
- Maximum cable length of 300 m (1,000 feet) with an RG-59 coaxial cable*³
- The Exmor™ CMOS sensor realizes high quality and low noise images
- 28x optical and total zoom ratio of 336x with 12x digital zoom
- DynaView™ — Wide-D technology to handle various lighting conditions in a case

Exmor™

DynaView



- Optical Day/Night function to switch to Day or Night mode depending on the light level

- DEPA™ Intelligent Video analytics system can be set up with a DEPA-enabled recorder
- Powered by HPoE for simple installation
- SD memory card slot for an on-board recording capability*^{4*5}
- Smartphone viewer for accessing the camera from a smartphone*⁶
- ONVIF (Open network Video Interface forum) Version 1.02 conformance



*¹ Sony's IP and analog-over-coax technology is developed based on Intersil's SLOC™ (Security Link Over Coax) technology.

*² For output of IP and analog signals from its SLOC port, the camera must be connected to a SLOC-compatible device via a coaxial cable. The output analog image may not display correctly, depending on the video format and image size settings. For details please contact your nearest Sony office.

*³ Cable length varies according to cable grade and quality.

*⁴ The on-board recording function, the intelligent motion detection function, and the tamper alarm function cannot be used simultaneously.

*⁵ Data recorded on an SD memory card may be lost or damaged by data access during power-off, mechanical shock, memory card detachment, or other operations. Data loss or damage can also occur when a memory card reaches end of life, which varies according to operational conditions. No guarantee is given against damage (including passive damage).

*⁶ For details, please contact your local Sony office.

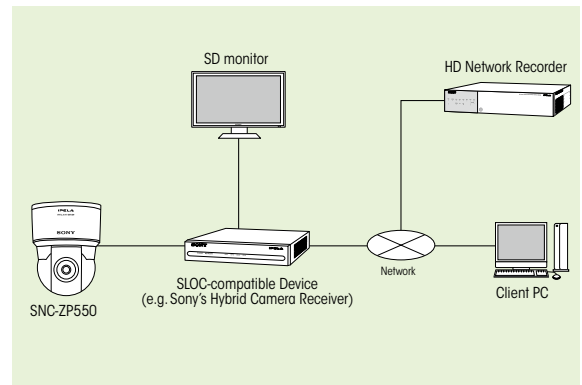
SPECIFICATIONS

SNC-ZP550	
Camera	
Image sensor	1/4-type "Exmor" CMOS sensor
Number of effective pixels	Approx. 1.43 Megapixel
Signal system	NTSC color system/PAL color system (switchable)
Minimum illumination	Color: 1.00 lx, B/W: 0.10 lx (F1.35, shutter 1/30 s, AGC ON, 50 IRE [IP])
Gain	Auto/Manual (-3 dB to 28 dB)
Shutter speed	1/1 s to 1/10,000 s
Exposure control	Full auto, Shutter priority, Iris priority, Manual
White balance	Auto, ATW, Advanced Auto, Indoor, Outdoor, One-push, Manual, Sodium vapour lamp
Lens	Auto-focus zoom lens
Zoom ratio	Optical zoom 28x, Digital zoom 12x, Total zoom 336x
Horizontal viewing angle	55.9 degrees to 2.1 degrees
Focal length	f = 3.5 mm to 98 mm
F-number	F1.35 (Wide), F3.7 (Tele)
Minimum object distance	10 mm (wide) to 1500 mm (tele)
Pan/Tilt angle	340 degrees/105 degrees
Pan/Tilt speed	300 degrees/s (max)
Preset position	256
Tour	5
Camera Features	
Day/Night	Yes
Wide-D	Yes (DynaView)
Noise reduction	Yes
Image	
Codec image size (H x V)	1280 x 720, 1024 x 576, 800 x 600, 800 x 480, 768 x 576, 720 x 576, 704 x 576, 720 x 480, 640 x 480, 640 x 368, 384 x 288, 320 x 240, 320 x 192
Video compression format	H.264, MPEG-4, JPEG
Codec streaming capability	Dual streaming*1
Maximum frame rate	30 fps (H.264, MPEG-4, JPEG) at 1280 x 720
Scene Analytics	
Intelligent motion detection	Yes
Network	
Protocols	IPv4, IPv6, TCP, UDP, ARP, ICMP, IGMP, HTTP, HTTPS, FTP (client/server), SMTP, DHCP, DNS, NTP, RTP/RTCP, RTSP, SNMP (MIB-2)
ONVIF conformance	Yes (version 1.02)
Number of clients	5
Authentication	IEEE802.1X
Interface	
Analog monitor output	No
Video out	BNC x1 (Video out: 1.0 Vp-p, 75 ohms, unbalanced, sync negative)
SLOC	
Line output	Mini-jack (monaural), Max output level: 1 Vrms
Network port	10BASE-T/100BASE-TX (RJ-45)
Sensor input	x2, make contact, break contact
Alarm output	x1, 24 V AC/DC, 1 A (mechanical relay outputs electrically isolated from the camera)
Microphone input	Mini jack (monaural)
Card slots	SD/SDHC card x1
System Requirements	
Operating system	Microsoft Windows XP (32 bit), Windows Vista (32 bit), Windows 7 (32 bit/64 bit)
Processor	Intel Core2 Duo 2 GHz or higher
Memory	1 GB or more
Web browser	Microsoft Internet Explorer Ver. 6.0, Ver. 7.0, Ver. 8.0 Firefox Ver. 3.5 (plug-in free viewer only) Safari Ver. 4.0 (plug-in free viewer only) Google Chrome Ver. 4.0 (plug-in free viewer only)
General	
Power requirements	HPoE (IEEE802.3at compliant, LAN mode only)*2, AC 24 V
Power consumption	25.0 W max.
Operating temperature	-5 °C to +50 °C (23 °F to 122 °F)
Starting temperature	0 °C to +50 °C (32 °F to 122 °F)
Storage temperature	-20 °C to +60 °C (-4 °F to +140 °F)
Operating humidity	20% to 80%
Storage humidity	20% to 95%
Vandal resistant	No
Dimensions (W x H x D)	ø147.4 mm x 190.9 mm (5 7/8 inches x 7 5/8 inches)
Mass	Approx. 1.7 kg (3 lb 12 oz), including the ceiling bracket
Safety regulations	JATE Technical standard (LAN), UL2044, IEC60950-1 (CB) VCCI (Class A), FCC (Class A), IC (Class A) Emission: EN55022 (Class A) + EN50130-4 Immunity: EN55022 (Class A) + EN55024 Emission: AS/NZS CISPR22 (Class A)
Supplied accessories	CD-ROM (User's guide, supplied programs) (1), Installation manual (1 set), Ceiling bracket (1), Screws (2), Template (1), 24 V AC Connector (1), I/O connector (1)

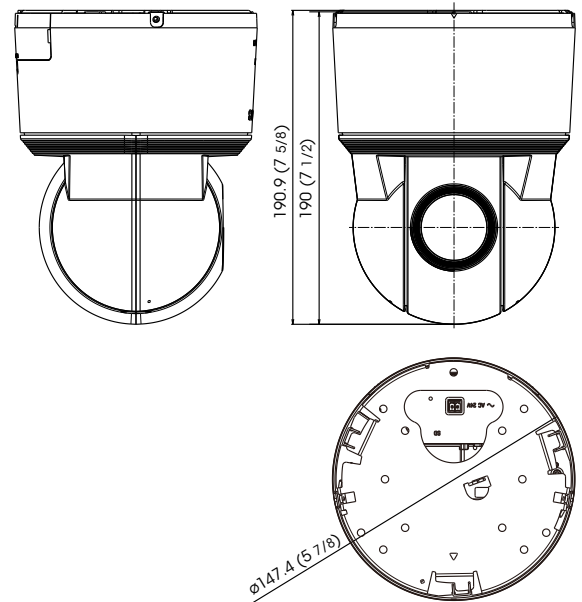
*1 Dual streaming is not available when an analog video signal is output from the SLOC port.

*2 HPoE is available when the camera is connected to HPoE-compatible equipment via an Ethernet cable.

SYSTEM CONFIGURATION



DIMENSIONS



Unit: mm (inches)

Distributed by

© 2012 Sony Corporation. All rights reserved.

Reproduction in whole or in part without written permission is prohibited. Features and specifications are subject to change without notice.

The values for weight and dimension are approximate.

"Sony", "make.believe", "IPELA HYBRID", "Exmor", "DynaView", and "DEPA" are trademarks of Sony corporation.

SLOC is a trademark owned by the Intersil Corporation family of companies. All other trademarks are the property of their respective owners.