



VKC-1327AVAR49

Article-No.: 92154

1/3" Board Camera,
Day&Night, 3.8-9.5mm,
540TVL, 12VDC/24VAC

Mainfeatures

1/3" day/night CCD board camera, 38x38mm
Sensitivity of 0.15Lux (AGC turbo and b&w)
Removable IR cut filter (ICR)
High speed shutter control (ESC)
Automatic white balance (ATW)

Horizontal resolution of 540 TV lines
Built-in lens F1.2/3.8-9.5mm with DC iris control
Digital signal processing (DSP)
Backlight compensation (BLC)
Supply voltage: 12VDC/24VAC


Specifications

System	True Day&Night
Video standard	CCIR/PAL
Sensor size	1/3"
Imager	CCD
Imager	Sony Super HAD Interline Transfer
Active picture elements	440,000, 752(H) x 582(V)
Synchronization	Internal/AC line lock
Signal-to-noise ratio	48dB
Gamma correction	0.45
Horizontal resolution	540 TVL
Sensitivity	0,5 Lux
Sensitivity	(colour), 0.24Lux (B&W) at F1.2 (measured), 50 IRE
Automatic electronic shutter (ESC)	1/50 - 1/100,000sec.
Low speed shutter	no
Automatic gain control (AGC)	Normal/Turbo (+6dB)
Digital Noise Reduction (DNR)	no
White balance	automatic (2000K - 8000K)

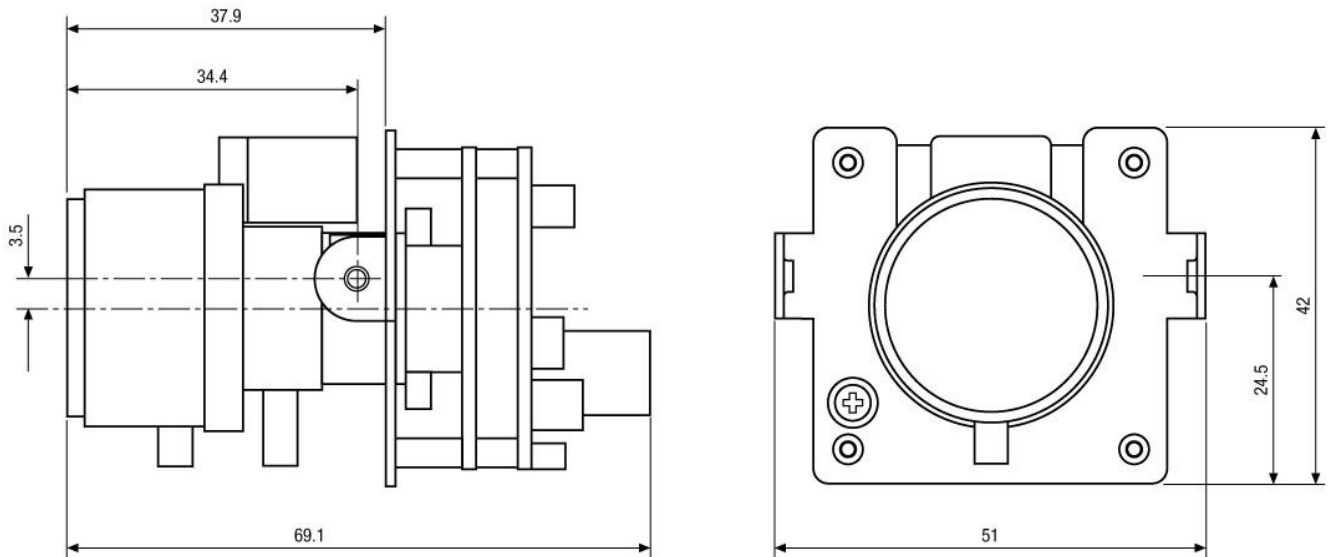
Specifications (continued)

Backlight compensation	BLC
Backlight compensation	ON/OFF switchable
Wide Dynamic Range (WDR)	no
IR cut filter	switchable
Internal adjustments	8 Dip switches: Internal/Line-lock synchronization, ELC/ALC (Shutter/Auto-Iris), BLC ON/OFF, AGC Normal/Turbo, Flickerless ON/OFF, Sharpness Normal/Sharp, Day/Night mode Enabled/Disabled, IR mode ON/OFF (Iteration reduction between day and night position). 2 Potentiometers: Level for DC controlled iris, V. phase adjustment (220° min. adjustable)
Video outputs	composite (CVBS)
Lens type	varifocal
Lens	F1.2/F2.0 ~ 360/3.8 ~ 9.5mm with galvanometer controlled iris
Focal length	3,8 mm - 9,5 mm
e-PTZ support	no
Digital zoom	no
Horizontal angle of view	74,2° - 30°
Iris control	DC
MOD (Minimum object distance)	0,15 m
Illumination	no
Activity detection	no
Serial interfaces	no
External connections	Video (BNC), Power (2-pin screw terminal)
Mounting	adapter plate supplied (see drawing)
Temperature range (operation)	-10°C ~ +50°C
Housing	without housing
Hidden cable management	no
Vandalism resistant	no
Protection rating	n/a
Alarm inputs	-
Alarm outputs	-
Supply voltage	12VDC, 24VAC
Supply voltage	(10.5 ~ 30VDC, 12 ~ 29VAC)
Power consumption	5.5W
Weight	Approx. 60g
Certificates	CE

Optional Accessories

Image	Artikel-Nr. / Typ	Description
	VT-PS12DC-11	Plug-in Power Supply Unit, 100-240VAC/12VDC (1.0A), Regulated, with DC Plug

Technical Drawing



Maße/Dimensions: mm

Your partner for eneo products:

