

# VKC-1425

Home | Security | Cameras | Plug & Play

VKC-1425

1/4" Camera, Day&Night, BLC, DNR, DIS, 23x Zoom,

3.6-82.8mm, 580TVL, 12VDC

**Art-Nr. 92769**



## Main Features

High resolution day&night camera

Integrated 23x AF lens / 10x digital zoom

True day&night mode with IR cut filter

Adjustable video transmission distance (3 steps)

Powerful digital noise reduction (3D DNR)

Motion detection (MD)

Low speed shutter control (DSS)

Digital effects: H/V reverse, 180° rotate

Privacy masking

On-screen menu control (OSD)

RS-485 serial interface (Pelco P & D)

## Specifications

System	True Day&Night
Video standard	PAL
Sensor size	1/4"
Imager	CCD
Active picture elements	795(H) x 596(V) pixels
Synchronization	internal
Signal-to-noise ratio	>50db
Horizontal resolution	580 TVL
Sensitivity	0,24 Lux, (colour) 0.15Lux (B&W) at F1.2 (measured), 50 IRE
Exposure modes	automatic, manual, iris priority, shutter priority, AGC priority
Automatic electronic shutter (ESC)	1/50 ~ 1/10,000sec.
Manual electronic shutter (MES)	1/50 ~ 1/10.000sec.
Low speed shutter	yes

# VKC-1425

(Continuation Specifications)

<b>Automatic gain control (AGC)</b>	ON/OFF switchable
<b>Digital Noise Reduction (DNR)</b>	yes, ON, OFF, low, middle, high
<b>Flickerless function</b>	ON/OFF switchable
<b>Mirror function</b>	flip, V flip, rotation
<b>White balance</b>	ATW, indoor, manual, outdoor, one push
<b>Backlight compensation</b>	BLC, 4 adjustable zones, ON/OFF switchable
<b>Wide Dynamic Range (WDR)</b>	no
<b>IR cut filter</b>	switchable
<b>Video outputs</b>	composite (CVBS)
<b>Lens type</b>	auto focus zoom
<b>Focal length</b>	3,6 mm - 82,8 mm
<b>Aperture range (F)</b>	F1.6~F3.7
<b>e-PTZ support</b>	no
<b>Digital zoom</b>	yes
<b>Horizontal angle of view</b>	55,21° - 2,12°
<b>Illumination</b>	no
<b>Menu languages</b>	English
<b>OSD function control</b>	OSD camera setup
<b>Text display</b>	10 digit
<b>Activity detection</b>	yes
<b>Motion detector</b>	4 zones, ON/OFF switchable
<b>Privacy zones masking</b>	4 areas selectable
<b>Serial interfaces</b>	RS-485
<b>Serial interfaces protocols</b>	Pelco D, Pelco P, DEF
<b>External adjustments</b>	menu, zoom and focus
<b>External connections</b>	video (BNC), RS-485, voltage input, alarm output, external day&night switching
<b>Temperature range (operation)</b>	-10°C ~+50°C
<b>Housing material</b>	metal, plastic
<b>Housing</b>	indoor
<b>Integrated wall mount</b>	no
<b>Hidden cable management</b>	no
<b>Window heater</b>	no
<b>Colour (housing)</b>	silver grey
<b>Vandalism resistant</b>	no
<b>Protection rating</b>	n/a
<b>Alarm inputs</b>	no
<b>Alarm outputs</b>	1
<b>Supply voltage</b>	12VDC, (+/-10%)
<b>Power consumption</b>	4.6W

# VKC-1425

(Continuation Specifications)

<b>Dimensions (HxWxD)</b>	62x63x120mm
<b>Weight</b>	325g
<b>Certificates</b>	CE, DGUV test certificate

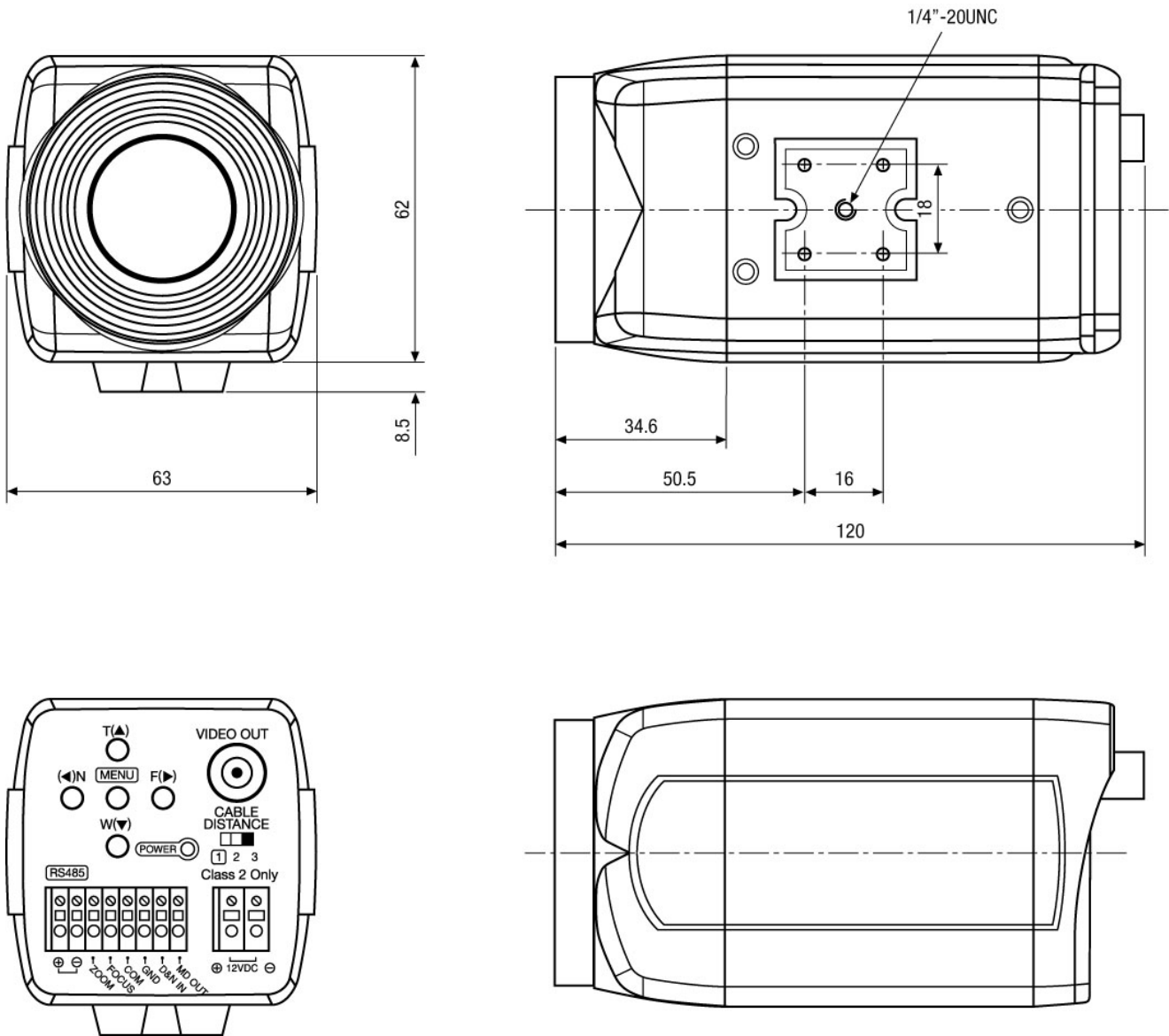
## Optional accessories

<b>203658</b>	<b>VT-PS12DC-11</b>	Plug-in Power Supply Unit, 100-240VAC/12VDC (1.0A), Regulated, with DC Plug
<b>70771</b>	<b>WD-23</b>	Wall Mount Bracket with Ball Joint, 1/4" Camera Fixing Screw, Pantone 877
<b>79644</b>	<b>VTL-WWD</b>	Weatherproof Housing (300mm) RAL9002, Wallbracket, Thermostat, Heater 12-24V

# VKC-1425

Home | Security | Cameras | Plug & Play

## Technical drawing



Maße/Dimensions: mm

GENITECH Comptabilité

36 Rte de Montpellier · 34230 Vendémian · FR  
Phone - 0811.040.048 · Telefax - 01.49.63.74.51  
genitech@genitech.fr · www.genitech.fr

**GENITECH**