



XCD-SX910 XCD-X710

B/W VIDEO DIGITAL CAMERA MODULE

Component/OEM

The XCD-SX910 and XCD-X710 cameras are the latest additions to Sony's IEEE 1394 digital camera family. Both cameras employ a progressive scan CCD with square pixels, making them ideal for a variety of industrial applications.

The XCD-SX910 incorporates a 1/2 type 1,450,000 pixels CCD and offers SXGA resolution images, while the XCD-X710, the XGA version of the XCD-SX910, incorporates a 1/3 type 800,000 pixels CCD.

Both models incorporate an external trigger function, allowing for fast moving objects to be clearly captured or still images in low light environments.

A variety of convenient features such as partial scan (16 x 16 zones) and selectable output modes (frame rate/bit depth) make these cameras extremely flexible.

With their high frame rates, compact and robust design, the XCD-SX910 and the XCD-X710 cameras are the right choice for quality-critical imaging applications such as demanding factory automation, semiconductor inspection and image processing systems.

Features

- High resolution with progressive scan square pixel CCD
 - XCD-SX910: 1/2 type IT CCD SXGA, 1,280 (H) x 960 (V) with a maximum resolution of 1,376 (H) x 1,024 (V)
 - XCD-X710: 1/3 type IT CCD XGA, 1,024 (H) x 768 (V)
- IEEE 1394 Digital Camera Specification Ver. 1.30 compliant
- Selectable frame rate
 - XCD-SX910: Up to 15 fps
 - XCD-X710 : Up to 30 fps
- 8-bit (Mono8) or 10-bit (Mono16) output
- External trigger input/Exposing output function (BNC)
- Partial scan (16 x 16 selectable zones)
- Binning function (2 x 1, 2 x 2)
- Fast hardware or software asynchronous trigger
- Auto/Manual gain (0 to 18 dB, 0.035 dB steps)
- C mount
- High shock and vibration tolerance
- Lead-free solder mounting board

CHANGING

THE WAY

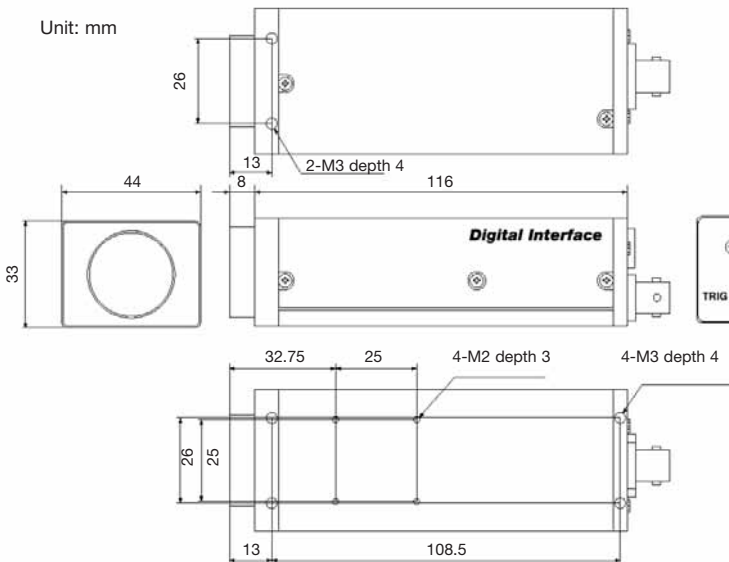
BUSINESS

COMMUNICATES

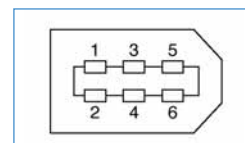
XCD-SX910/X710 SPECIFICATIONS

	XCD-SX910	XCD-X710
Image device	1/2 type progressive scan IT CCD	1/3 type progressive scan IT CCD
Effective picture elements	1,392 (H) x 1,040 (V); 1,450,000 pixels	1,034 (H) x 779 (V); 800,000 pixels
Output image size	SXGA: 1,280 (H) x 960 (V), Max. 1,376 (H) x 1,024 (V)	XGA: 1,024 (H) x 768 (V)
Supported Video mode	640 x 480, 800 x 600, 1024 x 768, 1280 x 960, 640x 480 (2 x 2 binning), 1280 x 480 (1 x 2 binning), 1376 x 1024, 1024 x 1024, Partial scan	640 x 480, 800 x 600, 1024 x 768, 512 x 384 (2 x 2 binning), 1024 x 384 (1 x 2 binning), Partial scan
Cell size	4.65 μm (H) x 4.65 μm (V)	
Lens mount	C mount	
Minimum illumination	4 lx (F0.95 lens open, +18 dB gain)	
Digital interface	IEEE 1394-1995	
Transfer rate	400/200 Mbps	
Frame rate	15/7.5/3.75/1.875 fps	30/15/7.5/3.75/1.875 fps
Gain control	Auto/Manual (0 to 18 dB, 0.035 dB steps)	
External shutter	1/100,000 to 17.5 s	
External trigger shutter	Trigger start (mode 0), trigger start and exposure duration (mode 1)	
Partial scan	256 zones (16 x 16)	
Power requirements	DC 8 to 30 V (from IEEE 1394 camera cable)	
Power consumption	4.5 W	
Dimensions	44 (W) x 33 (H) x 116 (D) mm (1 3/4 x 1 1/8 x 4 3/8 inches)	
Mass	250 g (9 oz)	
Operating temperature	-5 to +45 °C (23 to 113 °F)	
Storage temperature	-30 to +60 °C (-22 to +140 °F)	
Operating humidity	20 to 80% (non condensing)	
Storage humidity	20 to 95% (non condensing)	
Vibration	10 G (20 to 200 Hz)	
Shock resistance	70 G	
Regulations	UL60950 listed, FCC Class B Digital Device, CE (EN61326)	
Supplied accessories	Lens mount cap (1), Operating instructions (1), Cable (1), Clamp filter (2)	
Optional accessories	VCT-ST701 Tripod Adaptor Isolated type Approx. 14 g (0.5 oz), Dimensions: 40 (W) x 6 (H) x 59 (D) mm (1 5/8 x 1/4 x 2 3/8 inches), 25MM HD LENS, 50MM MACRO LENS	

DIMENSIONS

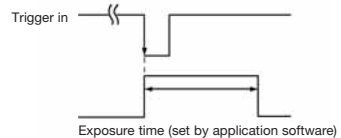


PIN ASSIGNMENT



- 1: Power
- 2: Power
- 3: TPB-
- 4: TPB+
- 5: TPA-
- 6: TPA+

TRIGGER SHUTTER



Sony Contacts

ISS for Central Zone +49 221 537 3668
(Austria, Eastern Europe, Germany, Netherlands, German-speaking Switzerland)

ISS for Nordic Zone +45 43 557 067
(Baltics, Denmark, Finland, Norway, Sweden)

ISS for Other Zone +44 1932 816 315
(UK, Ireland, Greece, Israel, South Africa)

ISS for South Zone +33 1 55 90 40 74
(Belgium, France, Italy, Portugal, Spain, French-speaking Switzerland)

ISS for Italy +39 (0) 6 334 372 27

SONY

www.sonybiz.net

SONY BUSINESS EUROPE

©2003 Sony Corporation. All rights reserved.
Reproduction in whole or in part without written permission is prohibited.
Design, features and specifications are subject to change without notice.

All non-metric weights and measurements are approximate.
Sony is a registered trademark of Sony Corporation.

CA XCD-SX910/X710/GB-21/10/2003